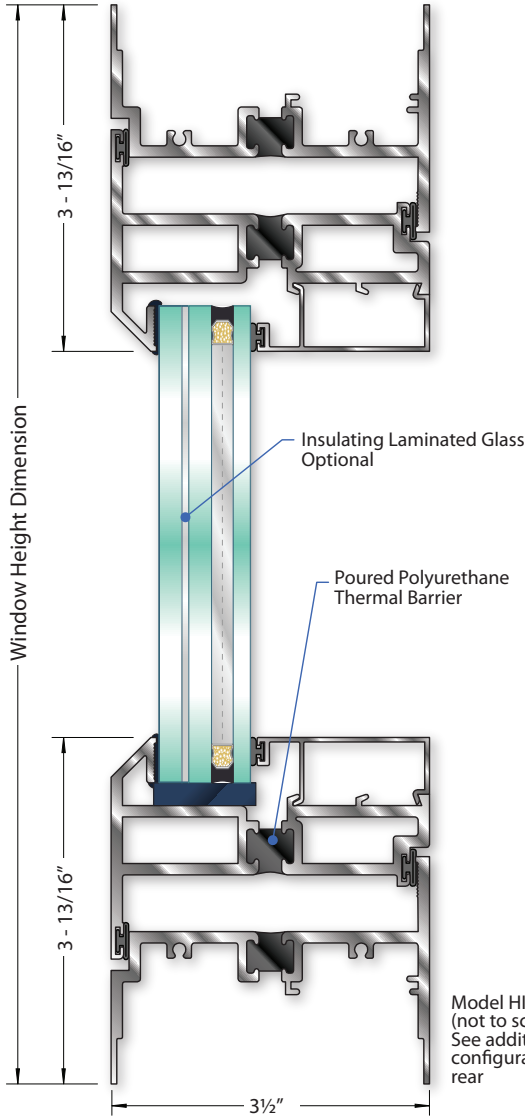




The Conservatory, Palm Coast, FL

The Conservatory, Palm Coast, FL



Model HI6805 shown  
(not to scale)  
See additional  
configurations on  
rear

**STANDARD FEATURES**

- Projected/casement/fix windows for hurricane-impact resistance
- Provides large missile impact protection
- Offers passive protection from wind-borne debris - without shutters!
- Thermally broken frame and vent for superior energy savings
- Sloped exterior glazing leg simulates putty-glazed profile
- Integral and fixed stack mull for minimal sight-lines
- Mulls to fixed & operable products of the same frame depth
- Flush design of vent & frame for aesthetic appeal

**INSTALLATION METHODS**

- Pre-set panning \*
- Trim & clip \*
- Wraparound panning \*
- Receptor & subsill \*
- \* Currently approved

**OPTIONAL FEATURES**

- Dual glazed with blinds
- Historic grids
- Hardware options
- Blast resistant

**SERIES HI6800 3½" FRAME DEPTH PERFORMANCE CHARACTERISTICS**

Type	Frame Depth (inches)	Series	Model Code	Glazing*	Missile		Florida Product Approval		Design Pressure (psf)		Water (psf)	Test Size (inches)
					Large	Small	Number	HVHZ	Pos (+)	Neg (-)		
Casement (Triple Glazed)	3½	HI6800	HI6807	1" Double Insulating Lami plus interior Lami Guardian panel	✓	Meets	10082.2	✓	60	60	9	48 x 48
Casement	3½	HI6800	HI6805,6	Single Lami or 1" Insulating Lami	✓	Meets	10082.1	✓	90	120	13.5	42 x 72
Fixed	3½	HI6800	HI6802	Single Lami or 1½" Insulating Lami	✓	Meets	10084.8	✓	90	120	12	48 x 72

\*Additional glazing and test configurations may be available - contact Graham.

**Series HI6800 PROJECTED/CASEMENT/FIXED GENERAL SPECIFICATIONS & DETAILS**

- **Materials:**  
All frame and vent sections shall be thermally broken extruded aluminum shapes produced from commercial quality 6063-T5 alloy
- **Hardware:**  
Lever locks, butt hinges, or 4-bar hinges  
Tested to impact performance standards
- **Finish Options:**  
AAMA 2603, 2604, & 2605, as well as powder coat and anodized finishes, are all available in a wide range of colors
- **Accessories:**  
Wide range of panning & trim options available

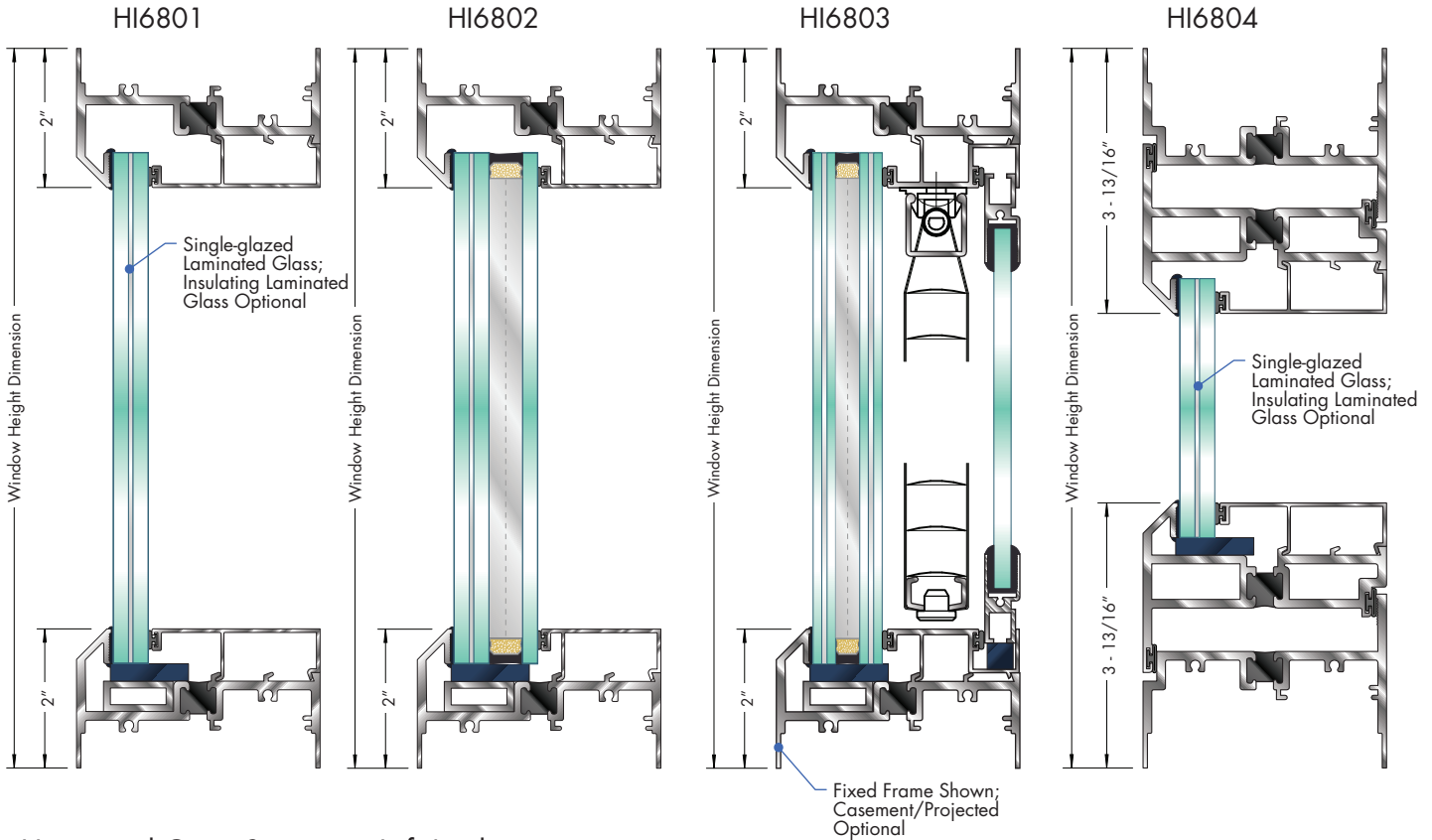
**TESTED TO:**  
ASTM E1886  
ASTM E1996  
TAS 201, TAS 202, TAS 203

**Series HI6800** 3½" Frame Depth  
**HURRICANE-RESISTANT**  
**PROJECTED/CASEMENT/FIXED • Historic**

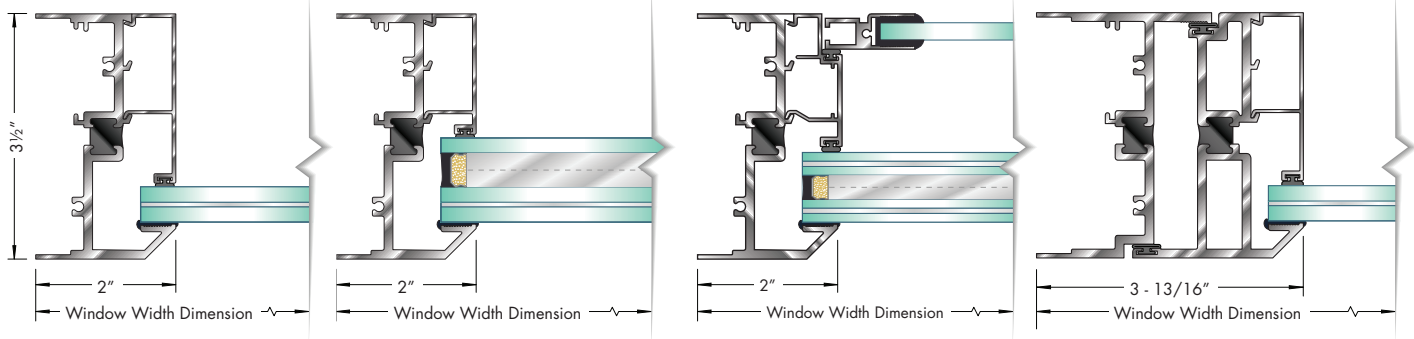
OPERATION



Vertical Cross Section (Not to scale)



Horizontal Cross Section at Left Jamb (Not to scale)



**HI6801 Features**

- Fixed window
- Thermal-break frame & sash
- Single-glazed laminated glass
- Large missile +90/-120 DP performance

**HI6802 Features**

- Fixed window
- Thermal-break frame & sash
- Insulating laminated glass
- Large missile +90/-120 DP performance

**HI6803 Features**

- Acoustic fixed/casement window
- Thermal-break frame & sash
- Insulating laminated glass with single-glazed interior Guardian panel
- Between-the-glass blind option
- Large missile +60/-60 DP performance

**HI6804 Features**

- Casement/projected window
- Thermal-break frame & sash
- Single-glazed laminated glass
- Large missile +90/-120 DP performance

\*PLEASE NOTE: The illustrations shown are informational only as anchorage requirements vary widely according to application, product size, and performance constraints. Contact Graham's Technical Services Department at 800-755-6274 for project application assistance.