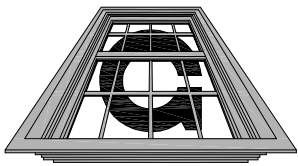


Graham

Sliding Glass Door - 6"

SGD-AW125 (WTP 15 PSF)



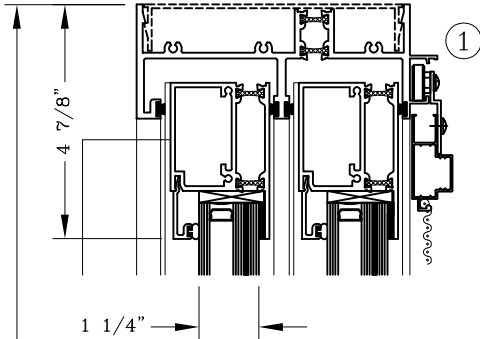
Architectural Products

Series: S0700

Manufacturing Code: S0701

Drawing 1/4 Scale - For Custom Size Drawing Contact Graham

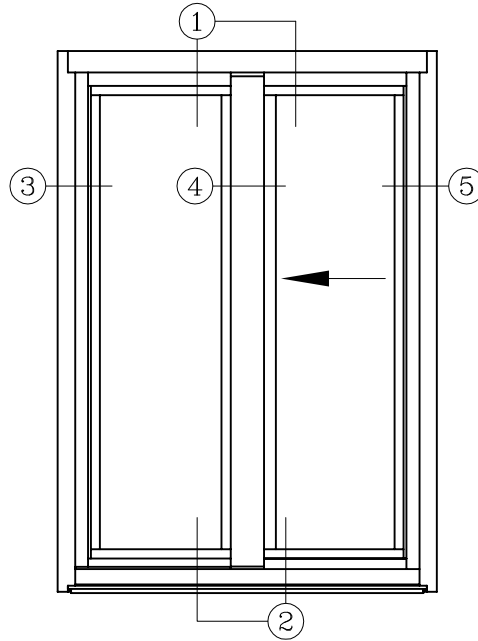
Note: Sealant Not Shown On Details. Consult Technical Services At Factory For Sealing Procedures.



Glazing

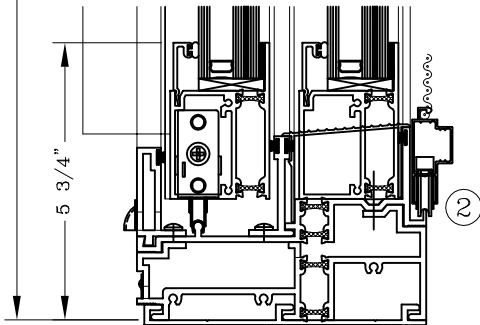
1 1/4" Shown Consist Of:
1/4" Tempered Exterior,
9/16" Lami. Interior Consisting Of
1/4" Tempered,
.080 PVB Interlayer,
1/4" Tempered

Door Dimension



ELEVATION

OX - Shown
XO - Opposite



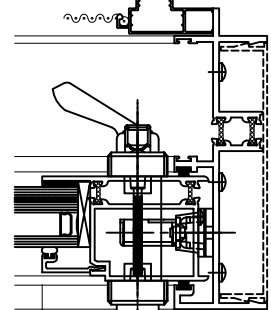
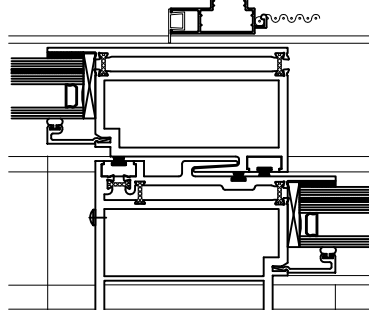
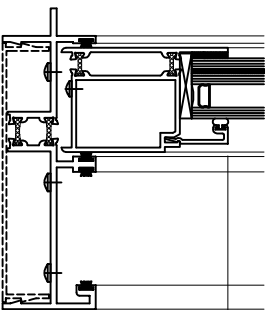
15 PSF Sill

(For Additional Sills,
Refer To Options
Sheet S07_04)

3

4

5



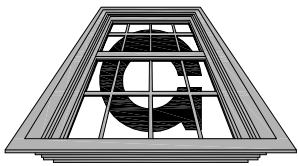
4 11/16"

6"

4 11/16"

Door Dimension

Graham



Sliding Glass Door - 6"

SGD-AW125 (WTP 15 PSF)

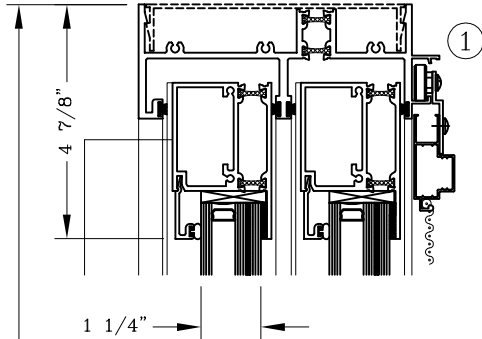
Series: S0700

Manufacturing Code: S0702

Architectural Products

Drawing 1/4 Scale - For Custom Size Drawing Contact Graham

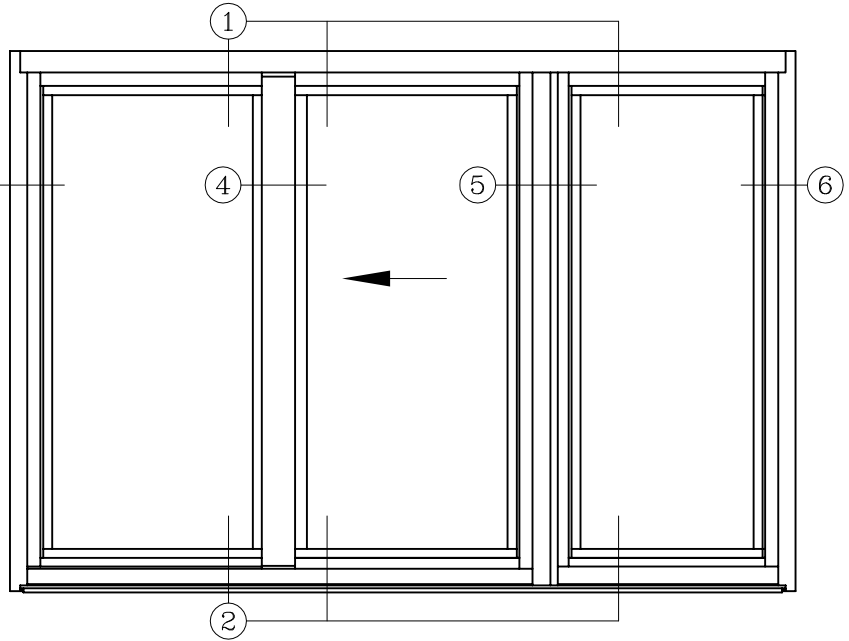
Note: Sealant Not Shown On Details. Consult Technical Services At Factory For Sealing Procedures.



Glazing

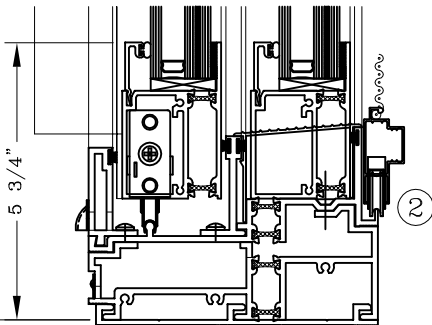
1 1/4" Shown Consist Of:
1/4" Tempered Exterior,
9/16" Lami. Interior Consisting Of
1/4" Tempered,
.080 PVB Interlayer,
1/4" Tempered

Door Dimension



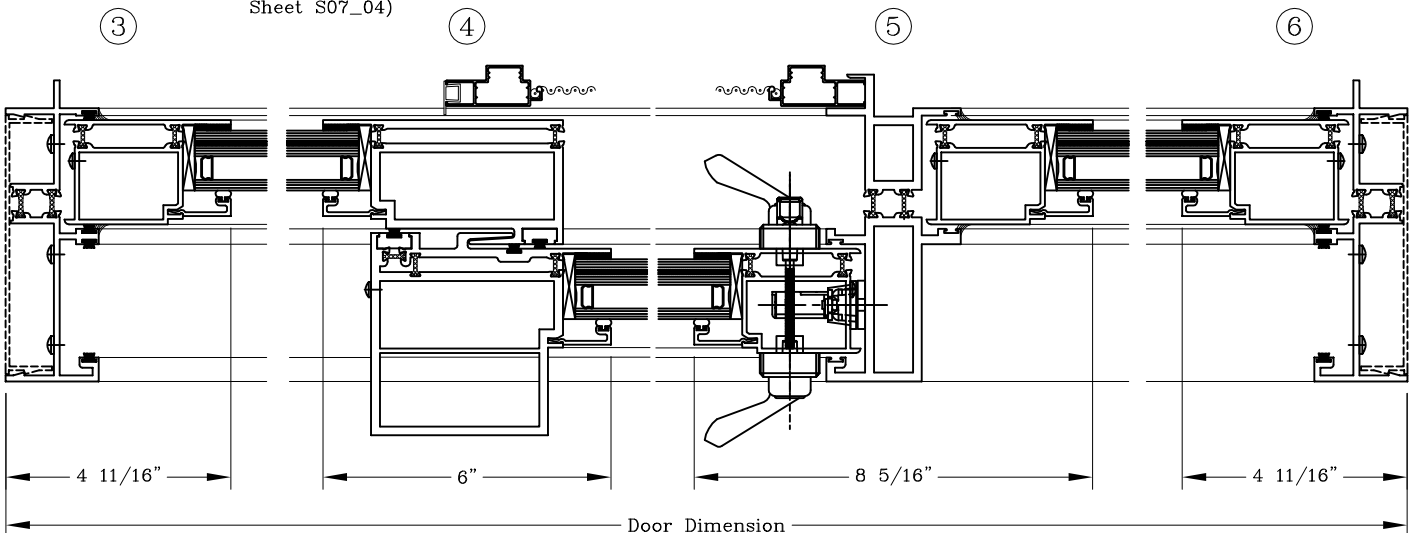
ELEVATION

OXO - Shown
XOX - Opposite

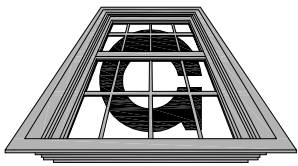


15 PSF Sill

(For Additional Sills,
Refer To Options
Sheet S07_04)



Graham



Sliding Glass Door - 6"

SGD-AW125 (WTP 15 PSF)

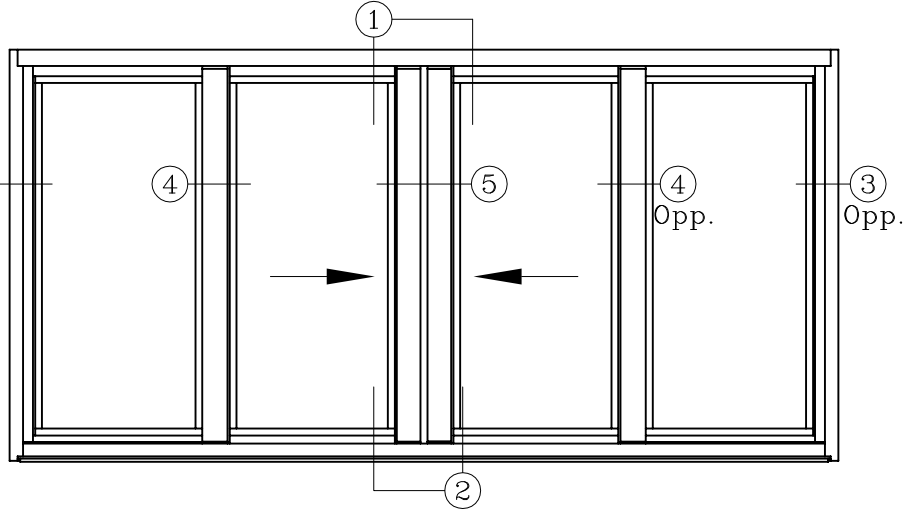
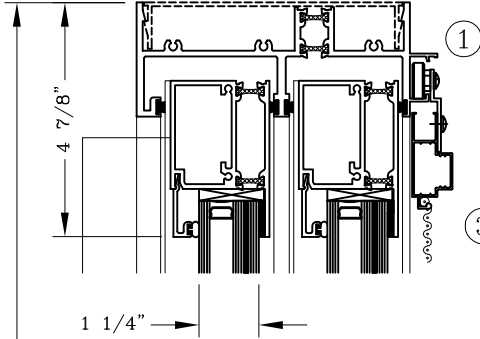
Series: S0700

Manufacturing Code: S0703

Architectural Products

Drawing 1/4 Scale - For Custom Size Drawing Contact Graham

Note: Sealant Not Shown On Details. Consult Technical Services At Factory For Sealing Procedures.



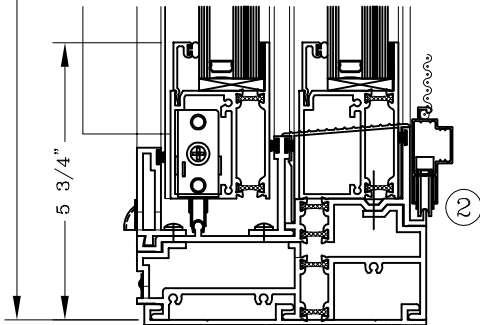
Glazing

1 1/4" Shown Consist Of:
1/4" Tempered Exterior,
9/16" Lami. Interior Consisting Of
1/4" Tempered,
.080 PVB Interlayer,
1/4" Tempered

Door Dimension

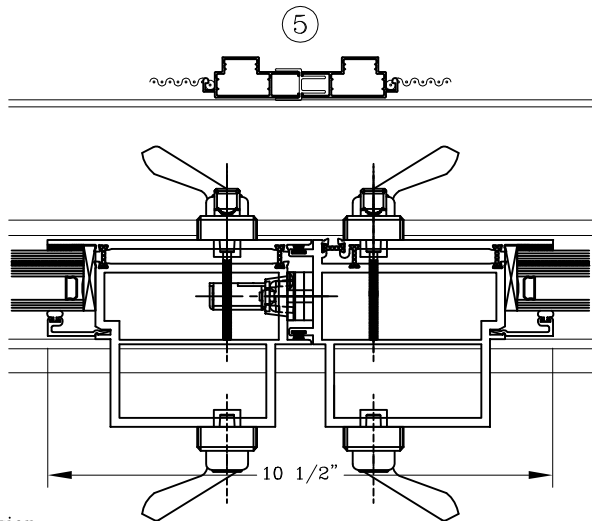
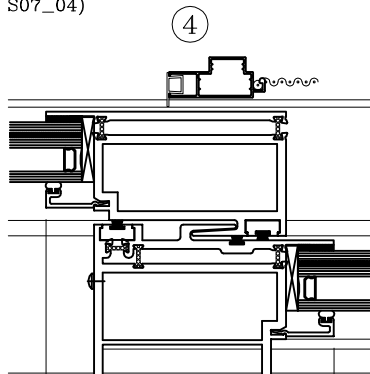
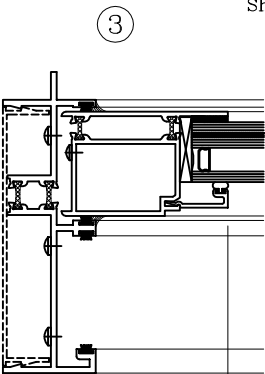
ELEVATION

0XX0 - Shown
X00X - Opposite



15 PSF Sill

(For Additional Sills,
Refer To Options
Sheet S07_04)



4 11/16"

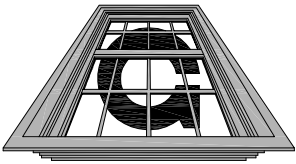
6"

10 1/2"

Door Dimension

Graham

Sliding Glass Door – 6” Options



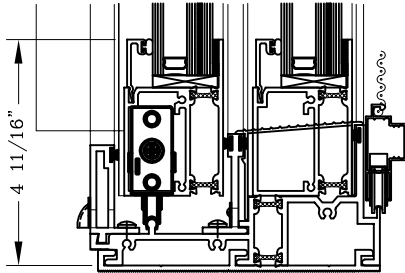
Architectural Products

Series: S0700

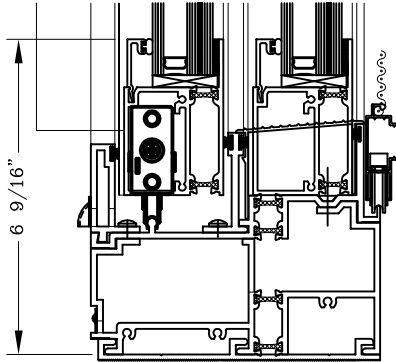
Manufacturing Code: S0704

Drawing 1/4 Scale – For Custom Size Drawing Contact Graham

Note: Sealant Not Shown On Details. Consult Technical Services At Factory For Sealing Procedures.



8.5 PSF Sill



20 PSF Sill