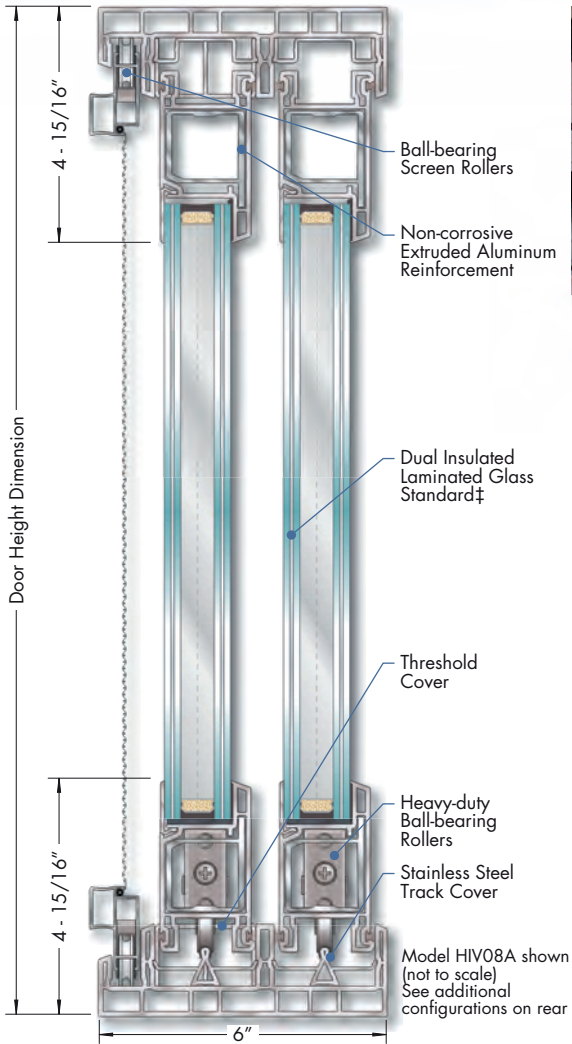


Series HIV0800 6" Frame Depth
HURRICANE-RESISTANT PVC SLIDING GLASS DOOR • Acoustical

OPERATION



SRQ Airport Hotel, Sarasota, FL



Pacifica project, California

STANDARD FEATURES

- PVC sliding glass door for hurricane-impact resistance
- Provides large missile impact protection
- Offers passive protection from wind-borne debris - without shutters!
- Acoustical benefits of 1-3/8" insulated dual laminated glass - STC 38
- Thermally efficient & durable; fusion welded PVC frame and panels
- Mulls to fixed and operable products of the same frame depth
- Flush design of door & frame for aesthetic appeal

INSTALLATION METHODS

- Through frame

OPTIONS

- Applied and between-the-glass grids

HURRICANE-RESISTANT SERIES HIV0800 PVC SLIDING GLASS DOOR • Acoustical

Operation	Type	Frame Depth	Series	Model Code	Glazing ‡	Missile Type		Florida Product Approval		Design Pressure [PSF]		Water Test Pressure [PSF]	Test Size in Inches
						Large	Small	Number	HVHZ	POS [+]	NEG [-]		
X0 or 0X	PVC Sliding Glass Door	6"	HI-V0800	HIV08A	1" Insulating Lami	✓	Meets	PENDING		50	50	10.5	72 x 96

The information on this page is current at the time of publication. ‡Additional glazing & test configurations available - call Graham.

Series HIV0800 PVC SLIDING GLASS DOOR • Acoustical INFORMATION

- **Materials:**
 All frame and panel sections shall be extruded shapes produced from commercial quality rigid PVC compound
 All frame and panel reinforcement shall be extruded aluminum shapes produced from commercial quality 6063-T5 alloy
- **Hardware:**
 Heavy-duty ball bearing rollers for easiest panel operation
 Tested to impact performance standards
- **Finish Options:**
 Standard integral PVC finishes available: white PVC & almond PVC

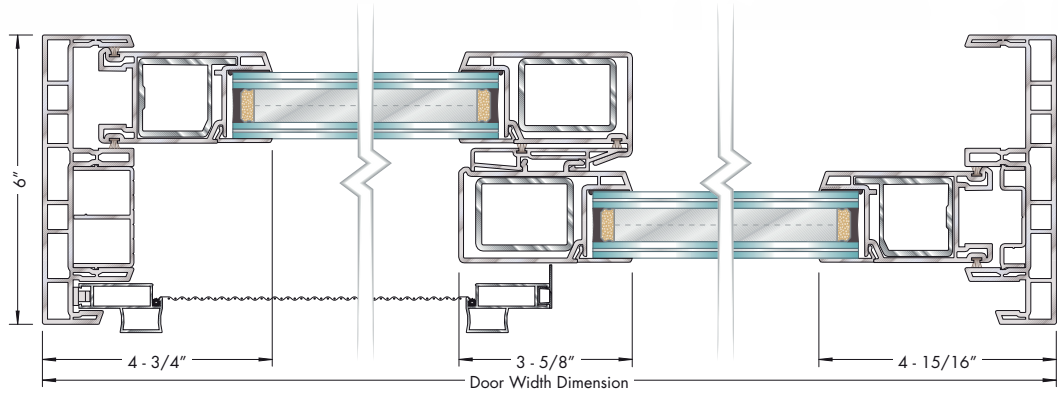
! Check website for complete, current information including other installation and hardware options: www.grahamwindows.com
 1551 Mt. Rose Avenue, York, Pennsylvania 17403-2909 • e-mail: info@grahamwindows.com • 800-755-6274 • 717-849-8100



Horizontal Cross Section *(Not to scale)*

HIV08A PVC SLIDING GLASS DOOR

**2-Panel
XO or OX
Single Track
1 Moving Panel**
(X=Moving, O=Fixed)

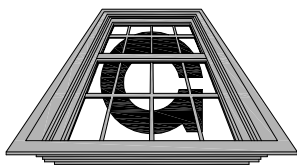


HIV08A Features

- PVC sliding glass door (OX or XO)
- Dual polyamide thermal strips in frame & panel(s)
- Single-glazed laminated glass; insulated lami optional
- Large missile +70/-70 DP performance

*PLEASE NOTE: The illustrations shown are informational only as anchorage requirements vary widely according to application, product size, and performance constraints. Contact Graham's Technical Services Department at 800-755-6274 for project application assistance.

Graham



Architectural Products

Acoustical Vinyl – 6”

Sliding Glass Door

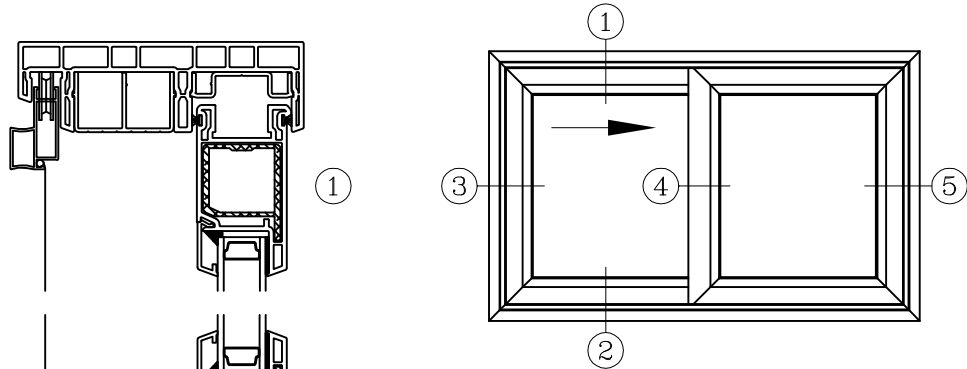
SGD-HC50

Series: ACUV0800

Manufacturing Code: ACUV08A

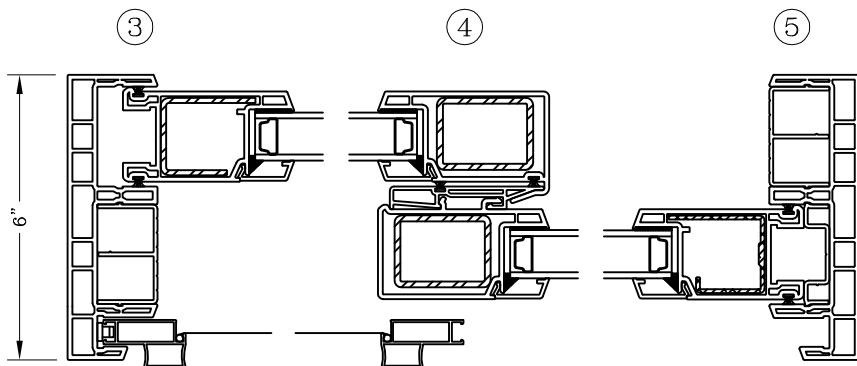
Drawing 1/4 Scale – For Custom Size Drawing Contact Graham

Note: Sealant Not Shown On Details. Consult Technical Services At Factory For Sealing Procedures.



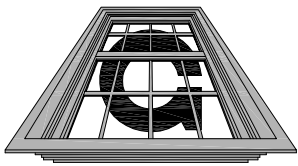
ELEVATION

Note: Unit To Be Glazed With
1 3/8” I.G. With 1/4” Lami.
On Both Lites To
Achieve A STC 38 Rating.



Panning – Optional (Head Shown)	Panning – Optional (Sill Shown)	Panning – Optional (Jamb Shown)	Trim – Optional (Interior Tape Applied) –Aluminum– 	<u>Screen Material</u> Standard: Fiberglass Charcoal Mesh Optional: Aluminum
<u>Size Limits</u> Contact Sales Representative For Standard Sizes	<u>Color</u> White Vinyl Almond Vinyl		<u>Glazing Options</u> Annealed or Tempered Glass Clear Grey or Bronze Tint Clear Laminated (Safety) Obscure Pattern #62 Low-E <small><u>Note:</u> Glazing May Be Limited To Meet Sound Transmission Specifications</small>	<u>Clear Opening</u> Width = $\frac{(\text{Unit Height} - 9")}{2}$ Height = Unit Height – 3 3/4"

Graham



Architectural Products

Acoustical Vinyl – 6”

Sliding Glass Door

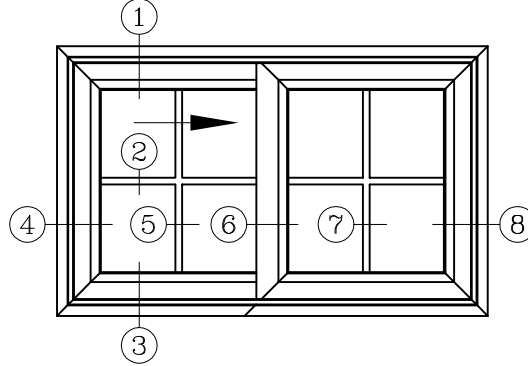
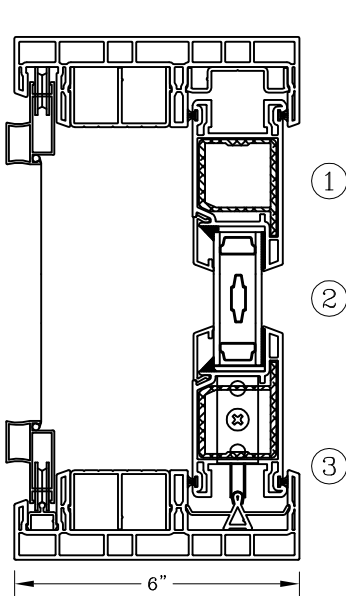
SGD-HC50

Series: ACUV0800

Manufacturing Code: ACUV08B

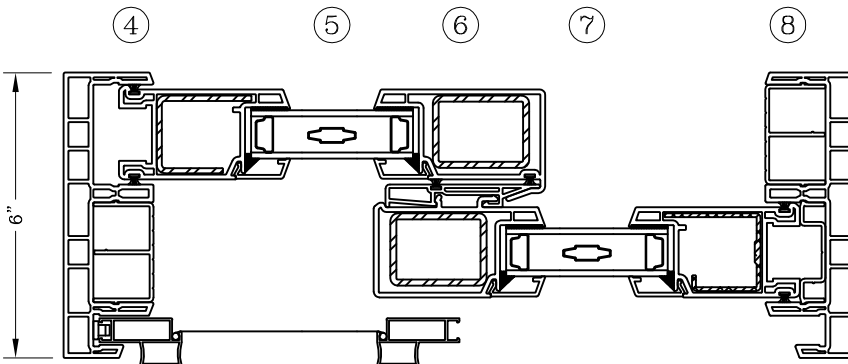
Drawing 1/4 Scale – For Custom Size Drawing Contact Graham

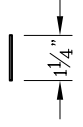
Note: Sealant Not Shown On Details. Consult Technical Services At Factory For Sealing Procedures.



ELEVATION

Note: Unit To Be Glazed With
1 3/8” I.G. With 1/4” Lami.
On Both Lites To
Achieve A STC 38 Rating.



Panning – Optional (Head Shown)	Panning – Optional (Sill Shown)	Panning – Optional (Jamb Shown)	Trim – Optional (Interior Tape Applied) –Aluminum– 	<u>Screen Material</u> Standard: Fiberglass Charcoal Mesh Optional: Aluminum
<u>Size Limits</u> Contact Sales Representative For Standard Sizes	<u>Color</u> White Vinyl Almond Vinyl		<u>Glazing Options</u> Annealed or Tempered Glass Clear Grey or Bronze Tint Clear Laminated (Safety) Obscure Pattern #62 Low-E <u>Note:</u> Glazing May Be Limited To Meet Sound Transmission Specifications	<u>Clear Opening</u> Width = $\frac{(\text{Unit Height} - 9")}{2}$ Height = Unit Height – 3 3/4”