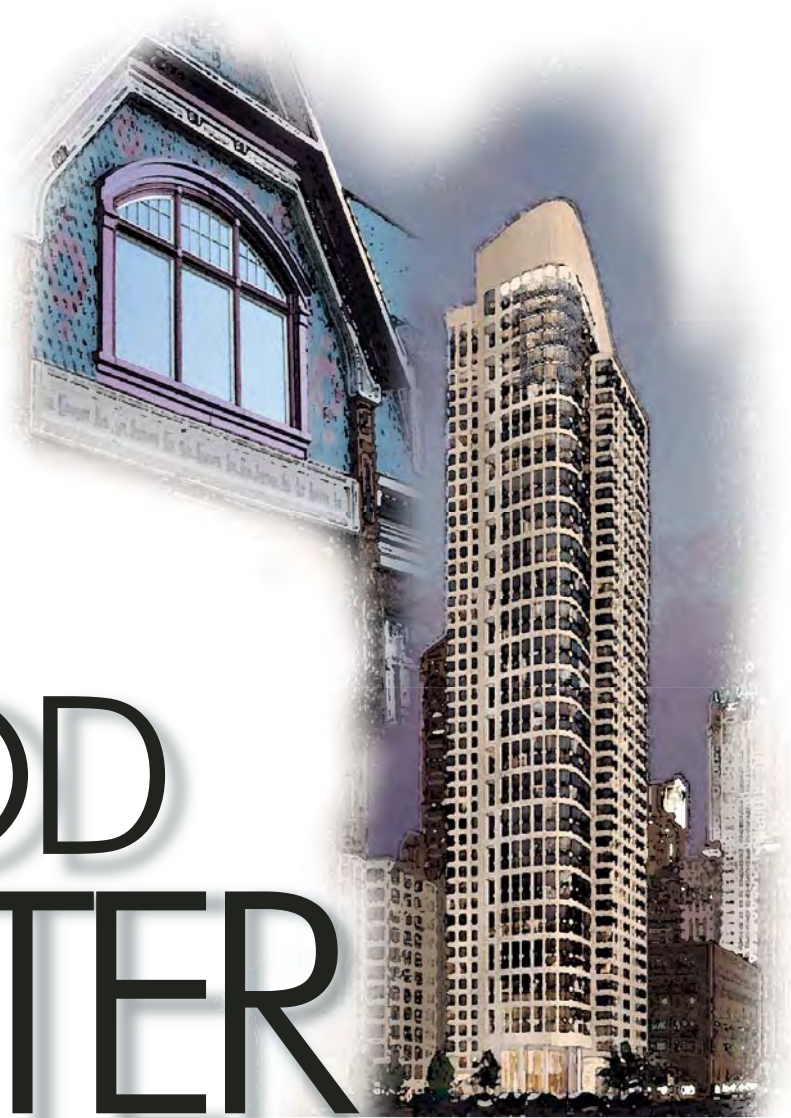


As seen in Architectural Record...



# GOOD BETTER GRAHAM

## WINDOWS OF SUBSTANCE FOR YESTERDAY, TODAY & TOMORROW

Regardless of your criteria – cost, performance, or aesthetics – Graham provides innovative solutions for your specific design expectations.

Our complete complement of windows and doors allows you the freedom of design you need for a broad range of applications. From classic renovation to new construction. From hurricane-tested to high-performance thermal and special acoustical windows.

Only Graham offers you a choice of two framing materials: aluminum or vinyl.

But we know you want one kind of window.  
The best for your needs.



800-755-6274

Fax: 800-366-5097

[www.grahamwindows.com](http://www.grahamwindows.com)

Architectural • Heavy Commercial • Acoustical Windows  
Sliding Glass Doors • Terrace Doors

# WINDOWS OF SUBSTANCE

From America's spectacular seacoasts, to its great inland cities. From challenging urban acoustical environments, to commercial towers with multiple glazing requirements.

Graham Architectural Products lets you specify the appropriate framing material for each fenestration project. Windows of substance for all applications.

Architectural aluminum windows for historic renovation and new construction.

Vinyl or aluminum acoustical windows for airport, highway and railway venues.

For more information on these and other Graham projects, go to: [www.grahamwindows.com](http://www.grahamwindows.com).

## Complete Fenestration Packages



Curtainwall

Windows & Panning Systems

Storefronts & Entrances.0000

### *Graham upgrades the grandeur of classic hotels.*

Project: The Ritz-Carlton Philadelphia  
Description: Classic renovation; modified Series 3400 double-hung tilt windows.

### *Graham. Safe, easy living for luxury retirement condominiums.*

Project: The Woodlands at Shell Point, Ft. Meyer, FL  
Description: New construction, 10-story towers; easy-tilt double-hung Series 3400 windows with hurricane rated glass



### *Graham "keeps quiet" in classrooms with noisy surroundings*

Project: East Boston High School, Boston  
Description: Renovation and new addition near Logan Field; aluminum acoustical Series 2400 windows

### *Graham makes a headquarters look like home.*

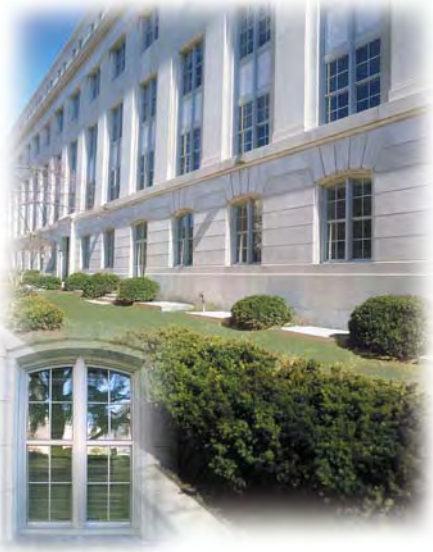
Project: Genesis Health Ventures Headquarters, Kennett Square, PA  
Description: New construction replicated original building; Series 2200 aluminum "special shapes" and combinations



# FOR ALL APPLICATIONS

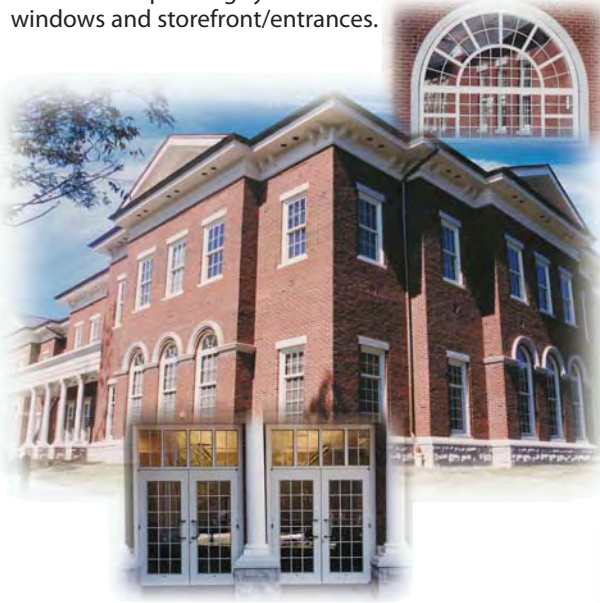
Graham. The choice of great American institutions.

Project: American Red Cross 18th Street Building, Washington  
Description: Renewal of a neo-classical landmark; fixed Series 1000 windows.



Graham. Elegant windows, panning combined with storefront/entrance systems.

Project: U. of Kentucky New Communications and Network Systems Building, Lexington KY  
Description: New construction; muntins and panning system matches windows and storefront/entrances.



Graham graces hi-rise condos with "windows of substance."

Project: The Sterling Building, Chicago  
Description: New construction, 48-story condominium tower; operating casement Series 6600 aluminum windows with low-E glass.



Graham. New comfort for classic city condos.

Project: Rittenhouse Plaza condominiums, Philadelphia  
Description: 20-story renovation; double-hung tilt Series 3200 windows with low-E glass, custom panning



Architectural Products

800-755-6274

Fax: 800-366-5097

[www.grahamwindows.com](http://www.grahamwindows.com)

Commercial Windows • Curtainwall • Storefront/Entrances

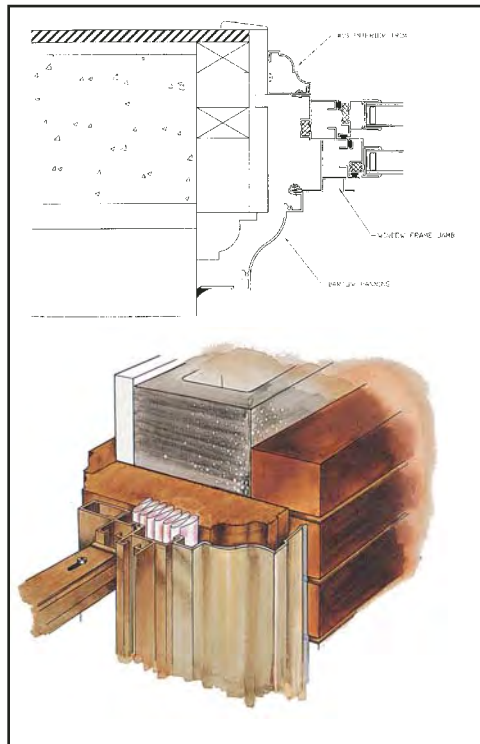
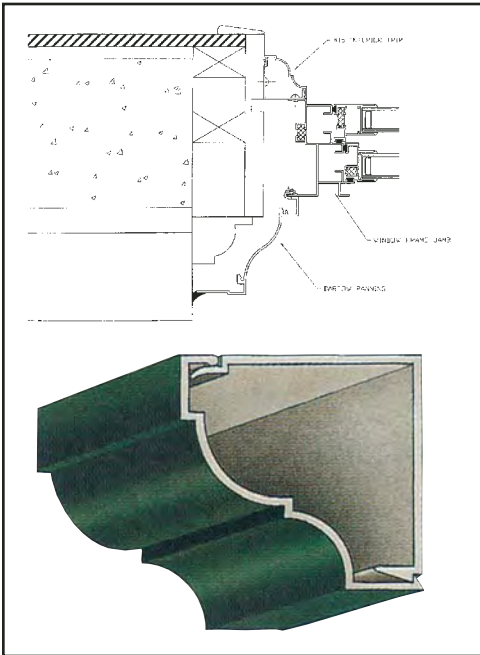
### Muntin Configurations

- True Divided Lites
- Trapezoid on Outside, Flat on Inside, Insulated Glass
- Trapezoid on Outside, Profile on Inside, Insulated Glass
- Trapezoid on Outside, Radius Profile on Inside, 1/4" Glass
- Beveled Glazing Perimeter
- Matches Historic Profiles



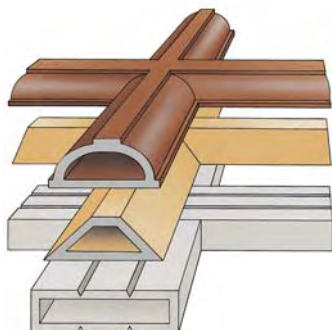
### Applied Muntins

- Trapezoid
- Radius Profile
- Concave
- Exterior Only
- Interior Only
- Exterior / Interior
- Removable Interior and Exterior
- Simulated True Muntin to Match Historic Profiles



### Panning Systems

In addition to dozens of conventional panning sizes, Graham has custom-engineered hundreds of profile panning shapes – the majority for specific applications. These profiles make it possible to replicate virtually any existing window. They are also part of the process by which Graham makes it possible to replicate curved window designs such as Gothic arches, fan tops, full-round, half-round and clover leaf. Specify any of these panning shapes or have us custom engineer a system for your particular project.



### Specialty Shapes

- Custom Panning
- Custom Trims
- Custom Systems
- Custom Muntins
- Custom Mullions
- Special Curved Shapes
- Curved Operable Sash
- Aluminum Castings
- Sash Lugs
- Historic Replications

