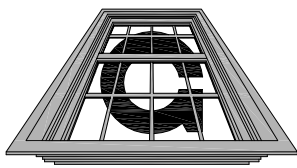


Graham



Architectural Products

# Acoustical Vinyl - 4 1/2"

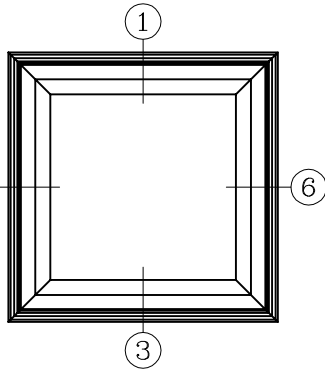
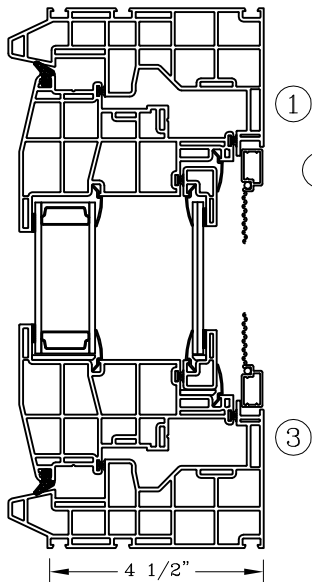
## Casement/Awning

### C-C60

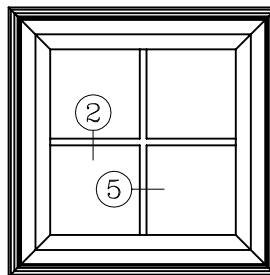
Series: ACUV6900      Manufacturing Code: ACUV69A

Drawing 1/4 Scale - For Custom Size Drawing Contact Graham

Note: Sealant Not Shown On Details. Consult Technical Services At Factory For Sealing Procedures.

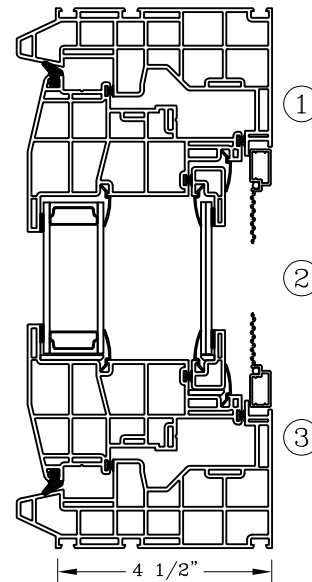


ELEVATION

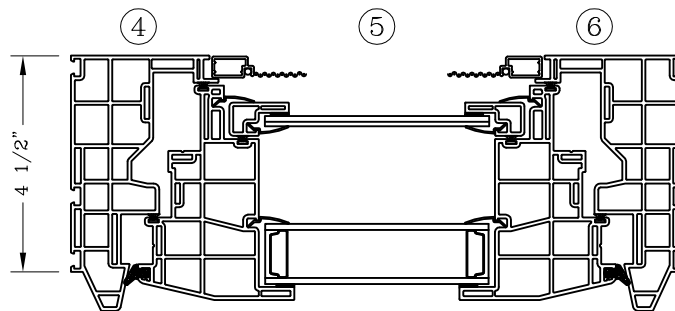
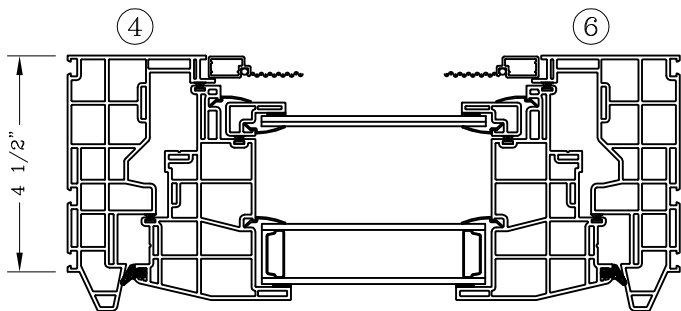


ELEVATION

(Showing Optional Applied Grid)



Note: Unit To Be Glazed With 1 1/4" I.G.  
(1/8" Clear Exterior And 1/8" Clear Interior) With 1/8" Clear Interior To Achieve a STC 40 Rating.



<p>Panning - Optional (Head Shown)</p>	<p>Panning - Optional (Sill Shown)</p>	<p>Panning - Optional (Jamb Shown)</p>	<p>Trim - Optional (Interior Tape Applied) -Aluminum-</p>	<p><u>Screen Material</u> Standard: Fiberglass Charcoal Mesh  Optional: Aluminum</p>
<p><u>Size Limits</u> Casement: Minimum: 20" by 18 3/4" Maximum: 40" by 66" Awning: Minimum: 18 3/4" by 18 3/4" Maximum: 62" by 40"  Maximum Sash Weight: 96 LBS.</p>	<p><u>Color</u> White Vinyl Almond Vinyl</p>	<p><u>Glazing Options</u> Annealed or Tempered Glass Clear Grey or Bronze Tint Clear Laminated (Safety) Obscure Pattern #62 Low-E  Note: Glazing May Be Limited To Meet Sound Transmission Specifications</p>	<p><u>Clear Opening</u> (Casement Only) Width = Unit Width - 9 7/8" Height = Unit Height - 6 3/16"</p>	