

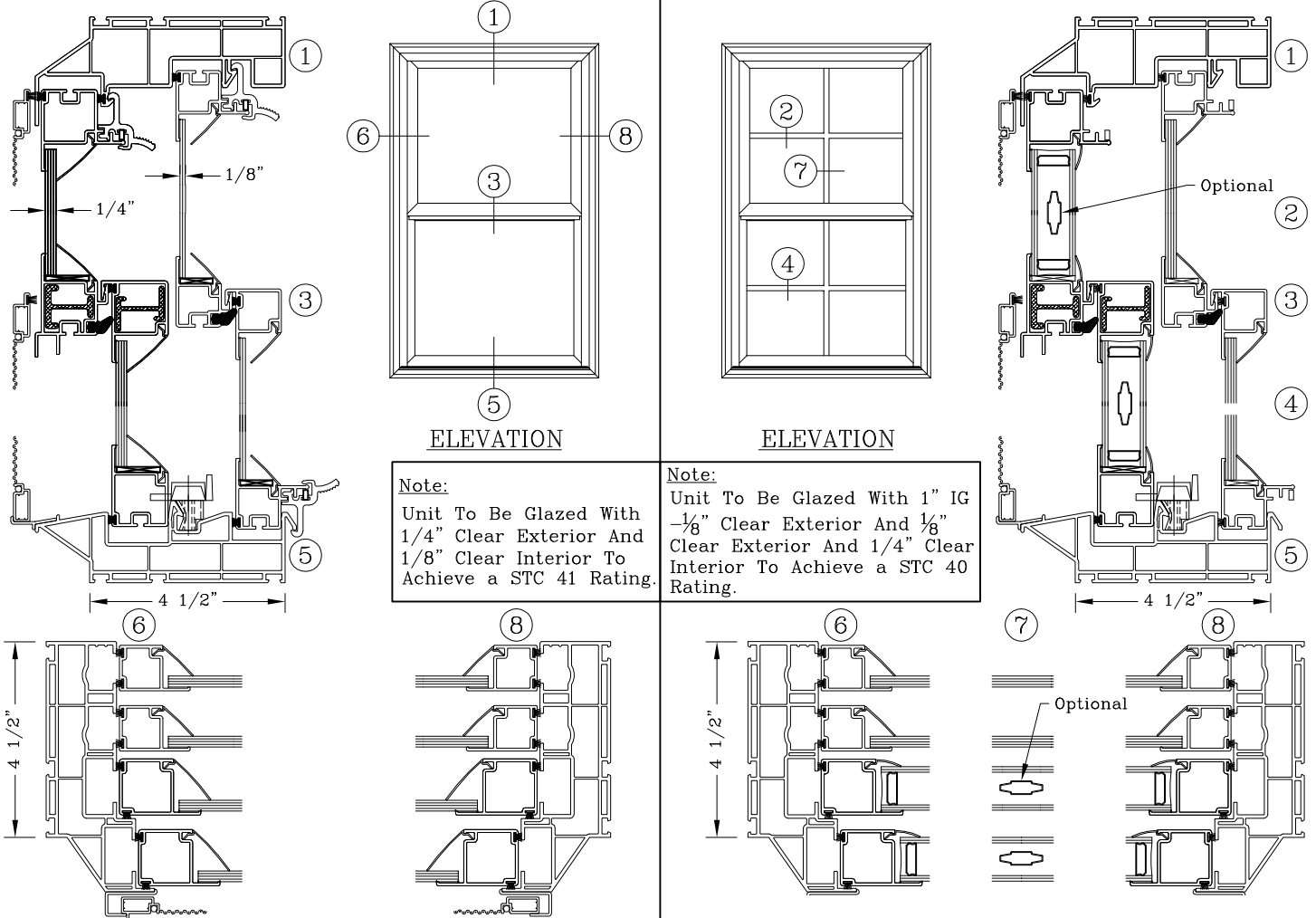
Acoustical Vinyl – 4 1/2” 4-Track Double Hung Tilt



Series: ACUV3900 Manufacturing Code: ACUV39A

Drawing 1/4 Scale – For Custom Size Drawing Contact Graham

Note: Sealant Not Shown On Details. Consult Technical Services At Factory For Sealing Procedures.



<p>Panning - Optional (Head Shown)</p>	<p>Panning - Optional (Sill Shown)</p>	<p>Panning - Optional (Jamb Shown)</p>	<p>Trim - Optional (Interior Tape Applied) -Aluminum-</p>	<p><u>Screen Material</u> Standard: Fiberglass Charcoal Mesh Optional: Aluminum</p>
<p><u>Size Limits</u> Minimum: 14 1/4" by 21 1/4" Maximum: 48" by 72" Maximum Sash Weight Varies Inserts Used On All Heights</p>	<p><u>Color</u> White Vinyl Almond Vinyl</p>	<p><u>Glazing Options</u> Annealed or Tempered Glass Clear Grey or Bronze Tint Clear Laminated (Safety) Obscure Pattern #62 Low-E Note: Glazing May Be Limited To Meet Sound Transmission Specifications</p>	<p><u>Clear Opening</u> Width = Unit Width - 5 1/8" Height = (Unit Height - 13 1/8") / 2</p>	