

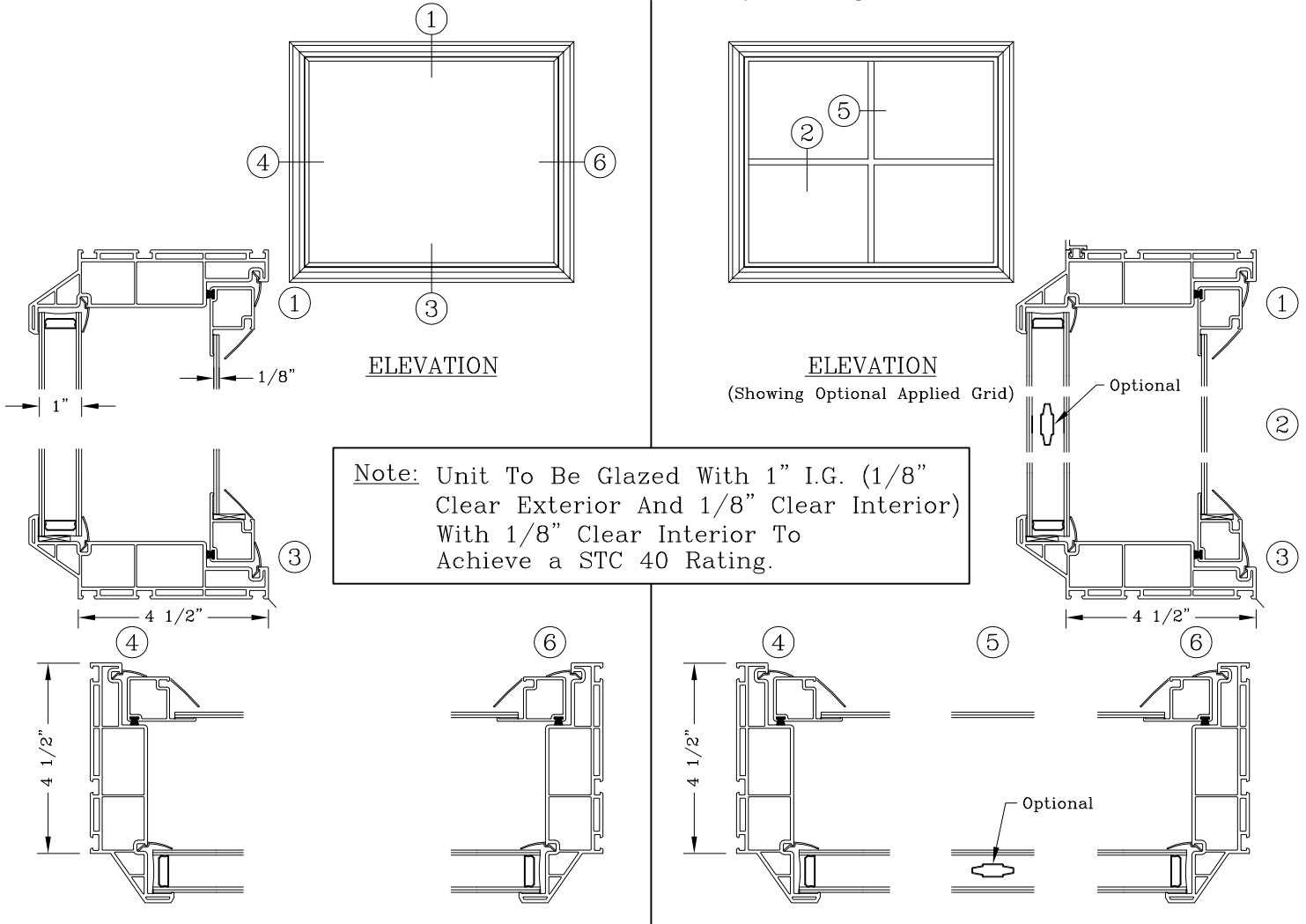
Acoustical Vinyl – 4 1/2” Dual Fixed

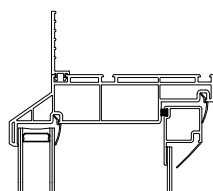
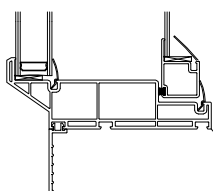
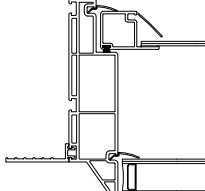
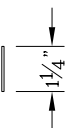
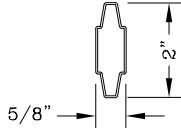


Series: ACUV1100 Manufacturing Code: ACUV11

Drawing 1/4 Scale – For Custom Size Drawing Contact Graham

Note: Sealant Not Shown On Details. Consult Technical Services At Factory For Sealing Procedures.



<p>Panning - Optional (Head Shown)</p> 	<p>Panning - Optional (Sill Shown)</p> 	<p>Panning - Optional (Jamb Shown)</p> 	<p>Trim - Optional (Interior Tape Applied) -Aluminum-</p> 	<p>Grid - Optional</p> 
<p><u>Size Limits</u> Minimum: 11 3/4" by 11 3/4" Maximum: 96" by 72"</p>	<p><u>Color</u> White Vinyl Almond Vinyl</p>	<p><u>Glazing Options</u> Annealed or Tempered Glass Clear Grey or Bronze Tint Clear Laminated (Safety) Obscure Pattern #62 Low-E</p> <p>Note: Glazing May Be Limited To Meet Sound Transmission Specifications</p>	<p><u>Clear Opening</u></p>	