

Graham



Architectural Products

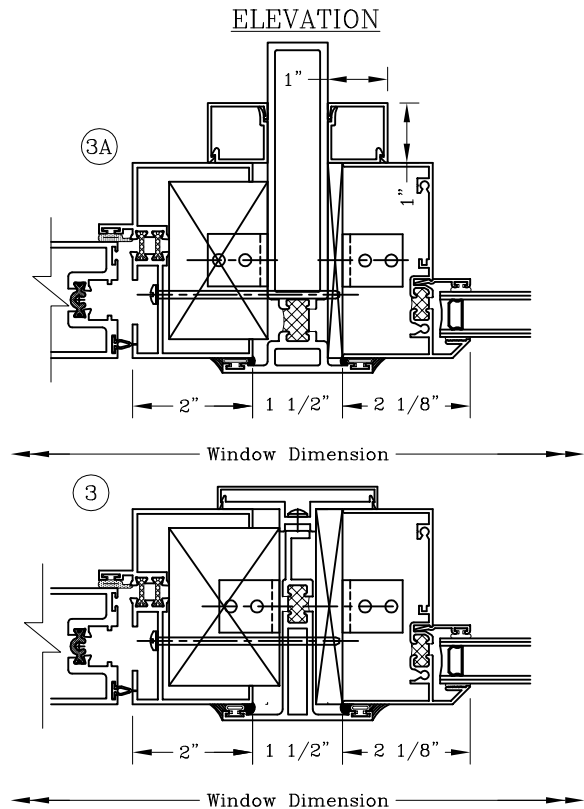
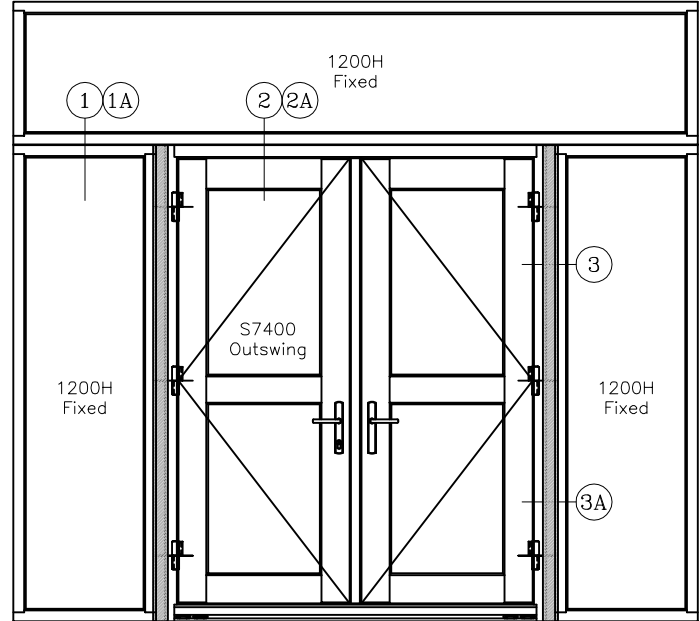
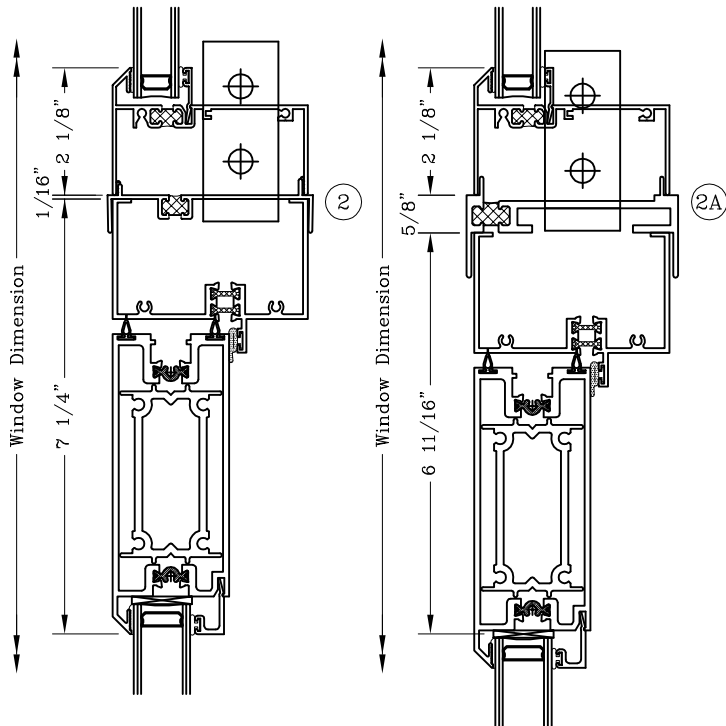
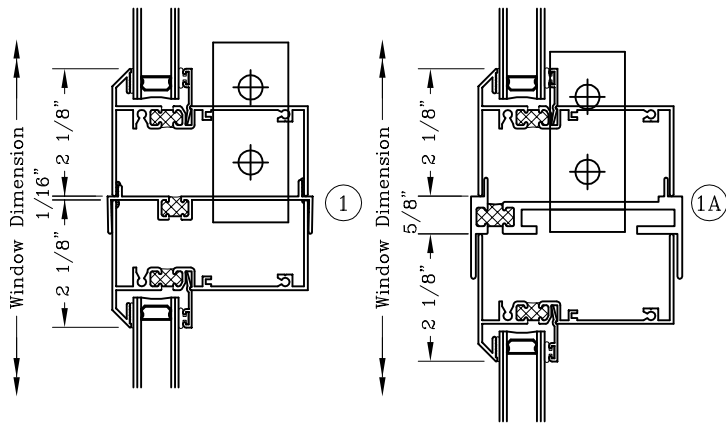
Terrace Door Options – 3 1/4” Mullion Options

Series: S7400

Manufacturing Code: S7410

Drawing 5/16 Scale – For Custom Size Drawing Contact Graham

Note: Sealant Not Shown On Details. Consult Technical Services At Factory For Sealing Procedures.



Note: Dashed Lines Represent Inswing Vented Units; Solid Lines Represent Outswing Vented Units; Lines Converge At Hinge Side Of Vent