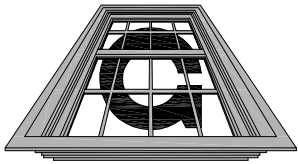


Graham



Architectural Products

Terrace Door Options – 3 1/4”

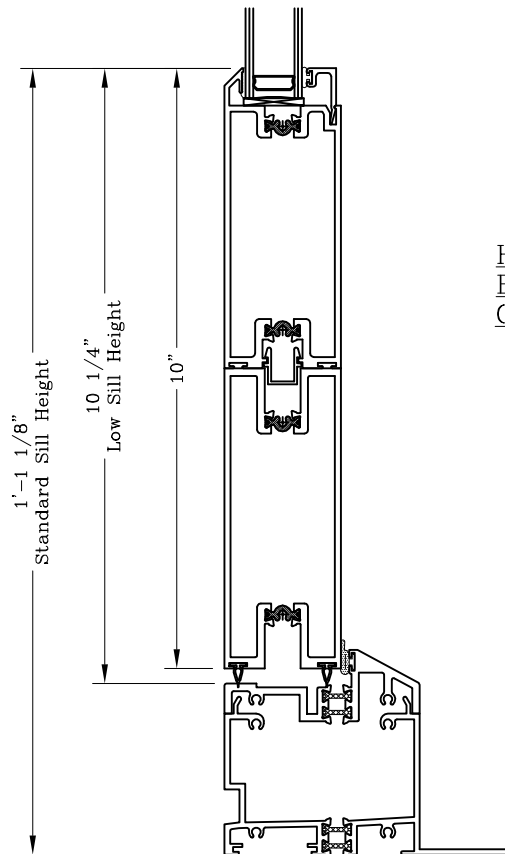
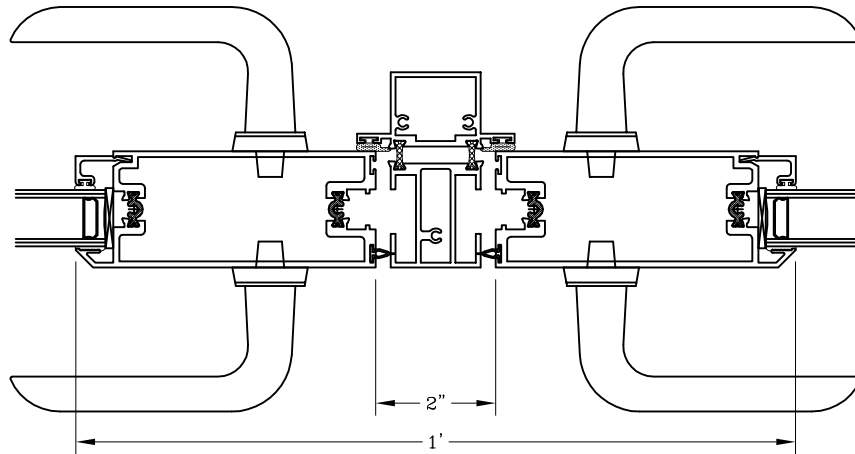
Series: S7400

Manufacturing Code: S7407

Drawing 5/16 Scale – For Custom Size Drawing Contact Graham

Note: Sealant Not Shown On Details. Consult Technical Services At Factory For Sealing Procedures.

Impost Outswing



Historic
Bottom Rail
Outswing