

Graham

French Terrace Door – 3 1/4” HGD–HC50



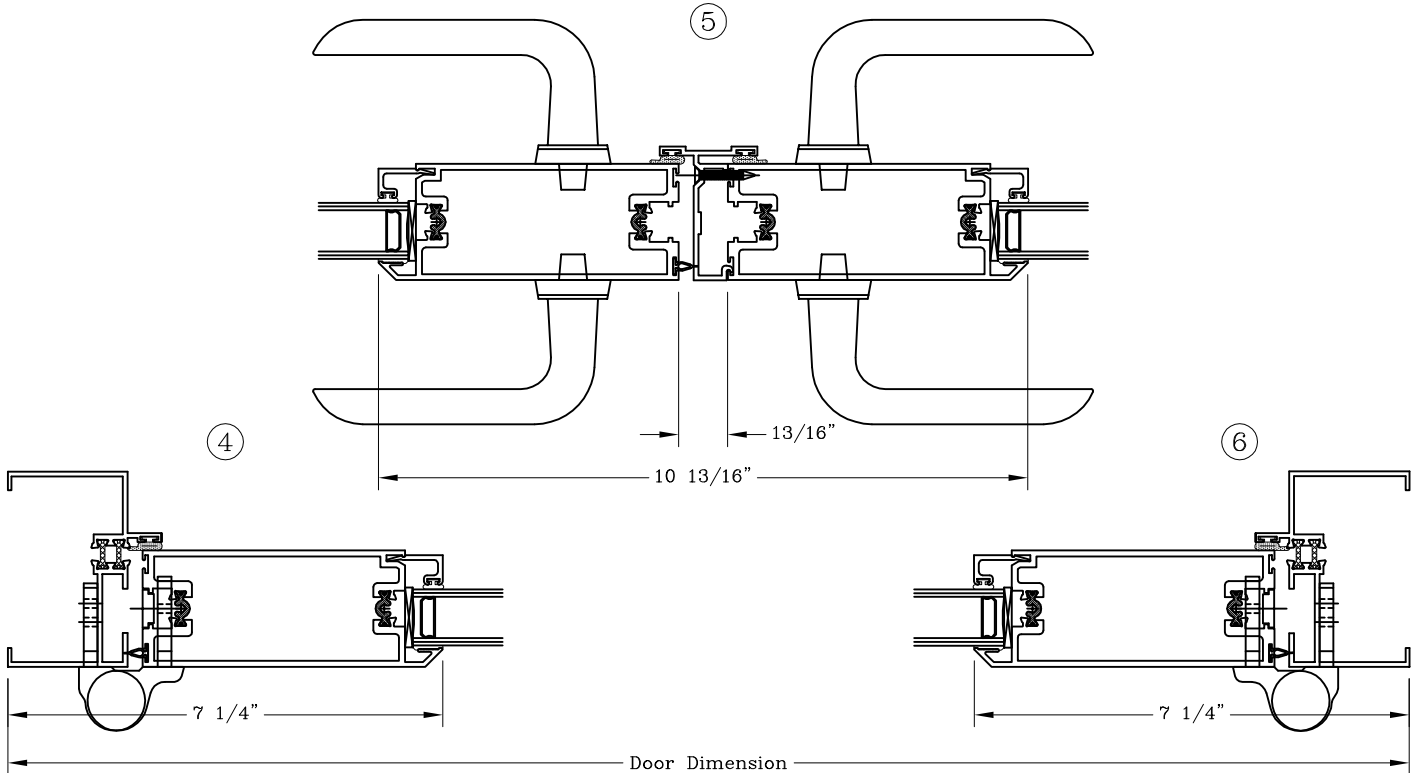
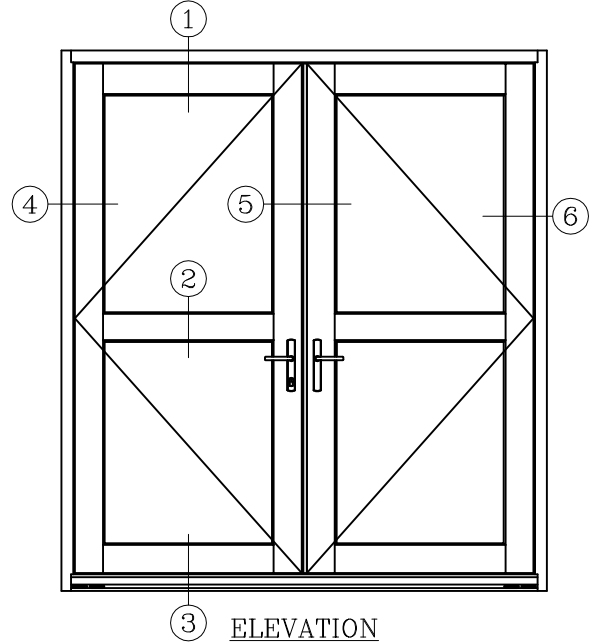
Architectural Products

Series: S7400

Manufacturing Code: S7406

Drawing 5/16 Scale – For Custom Size Drawing Contact Graham

Note: Sealant Not Shown On Details. Consult Technical Services At Factory For Sealing Procedures.



Note: Dashed Lines Represent Inswing Vented Units; Solid Lines Represent Outswing Vented Units; Lines Converge At Hinge Side Of Vent