

Graham



Architectural Products

Terrace Door - 3 1/4"

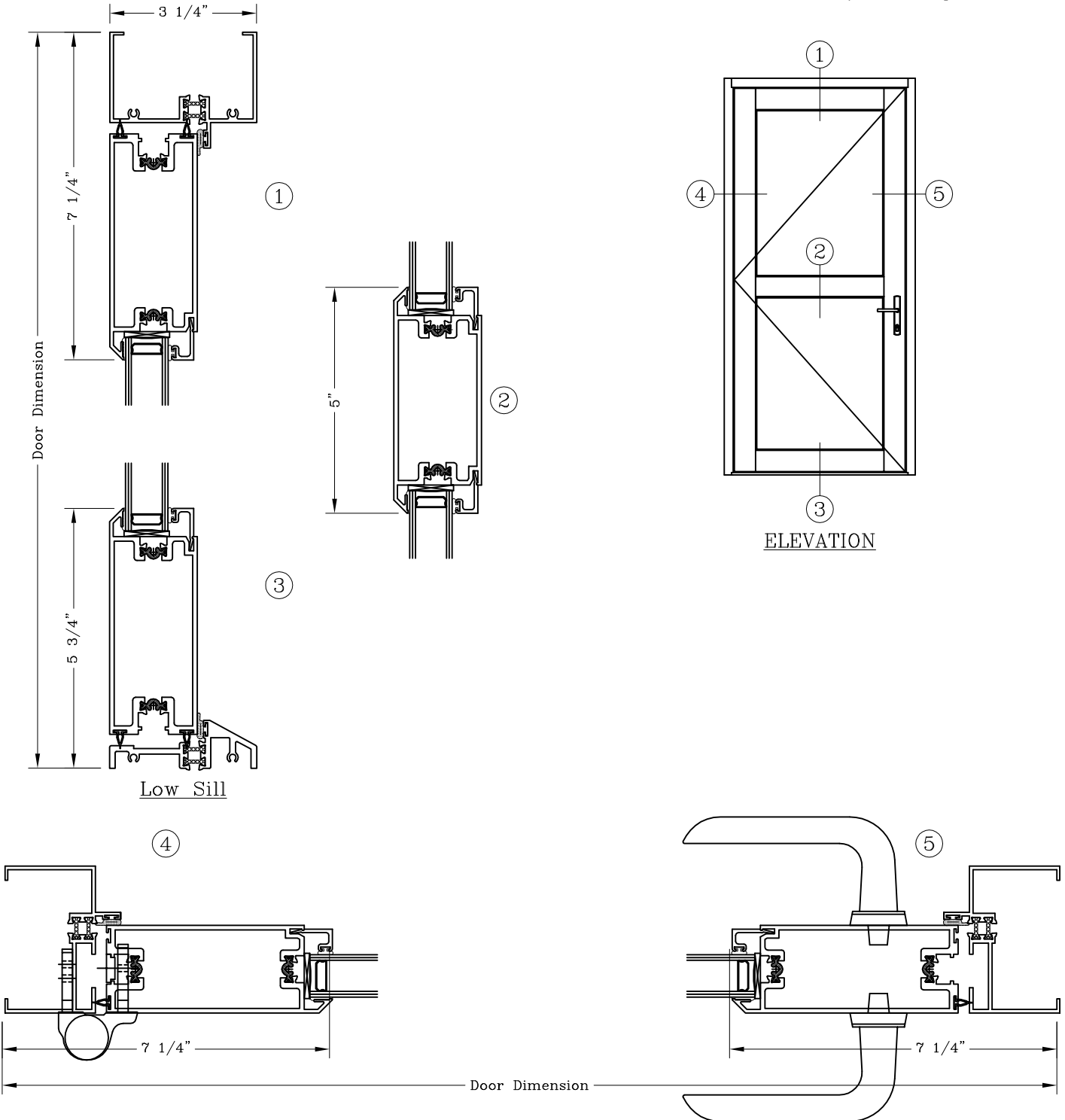
HGD-HC50

Series: S7400

Manufacturing Code: S7402

Drawing 5/16 Scale - For Custom Size Drawing Contact Graham

Note: Sealant Not Shown On Details. Consult Technical Services At Factory For Sealing Procedures.



Note: Dashed Lines Represent Inswing Vented Units; Solid Lines Represent Outswing Vented Units; Lines Converge At Hinge Side Of Vent