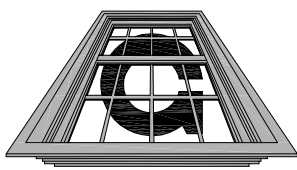


Graham



Sliding Glass Door - 6"

SGD-AW125 (WTP 15 PSF)

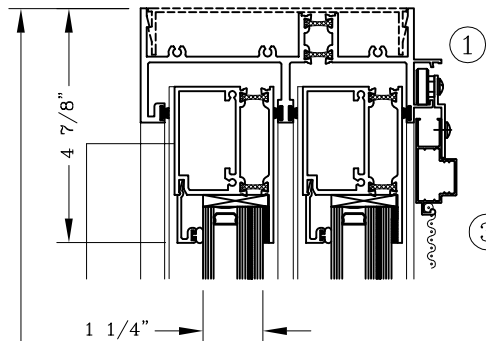
Series: S0700

Manufacturing Code: S0703

Architectural Products

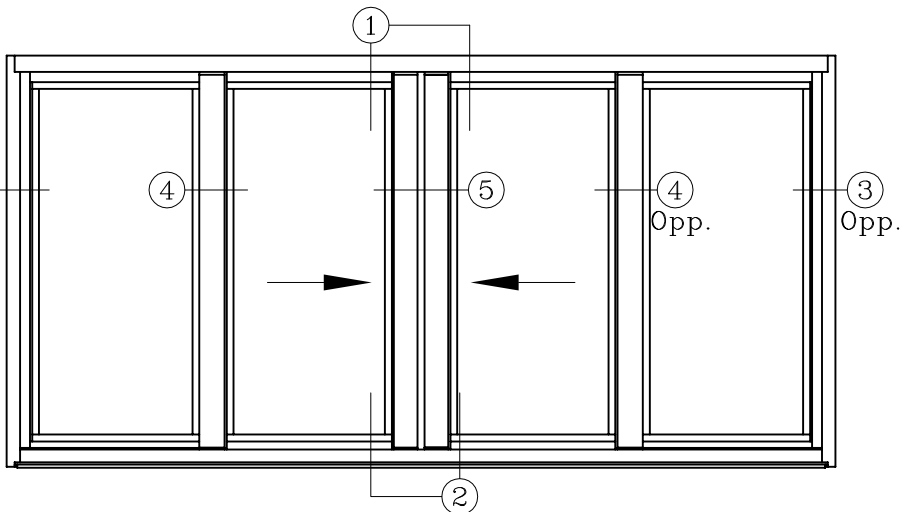
Drawing 1/4 Scale - For Custom Size Drawing Contact Graham

Note: Sealant Not Shown On Details. Consult Technical Services At Factory For Sealing Procedures.



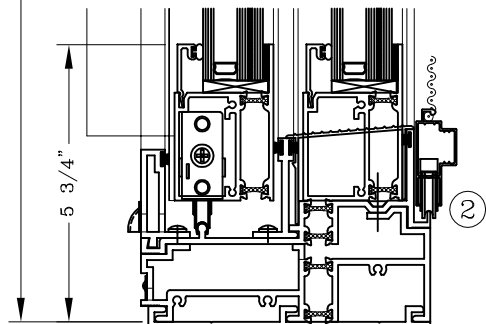
Glazing

1 1/4" Shown Consist Of:
1/4" Tempered Exterior,
9/16" Lami. Interior Consisting Of
1/4" Tempered,
.080 PVB Interlayer,
1/4" Tempered



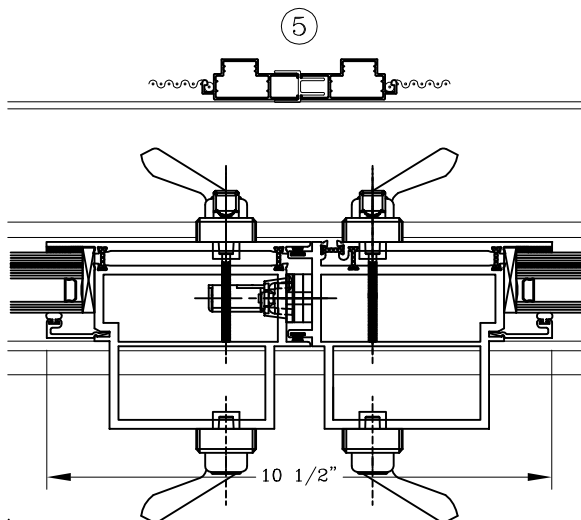
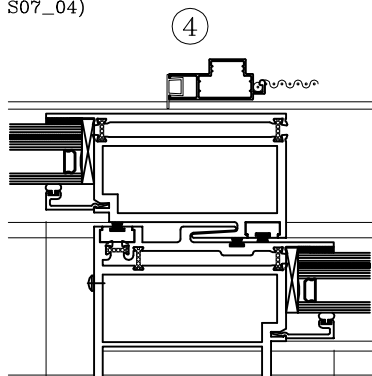
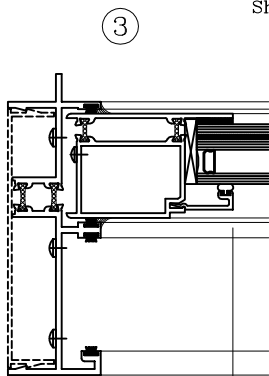
ELEVATION

0XX0 - Shown
X00X - Opposite



15 PSF Sill

(For Additional Sills,
Refer To Options
Sheet S07_04)



4 11/16"

6"

10 1/2"

Door Dimension