

Graham



Sliding Glass Door - 6"

SGD-AW125 (WTP 15 PSF)

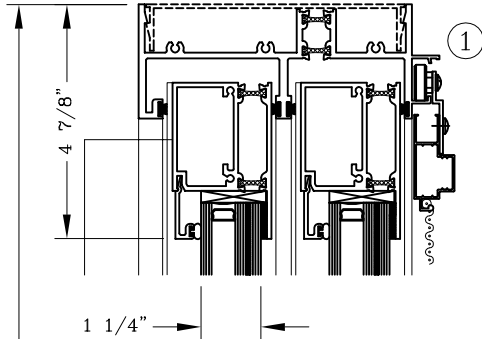
Series: S0700

Manufacturing Code: S0702

Architectural Products

Drawing 1/4 Scale - For Custom Size Drawing Contact Graham

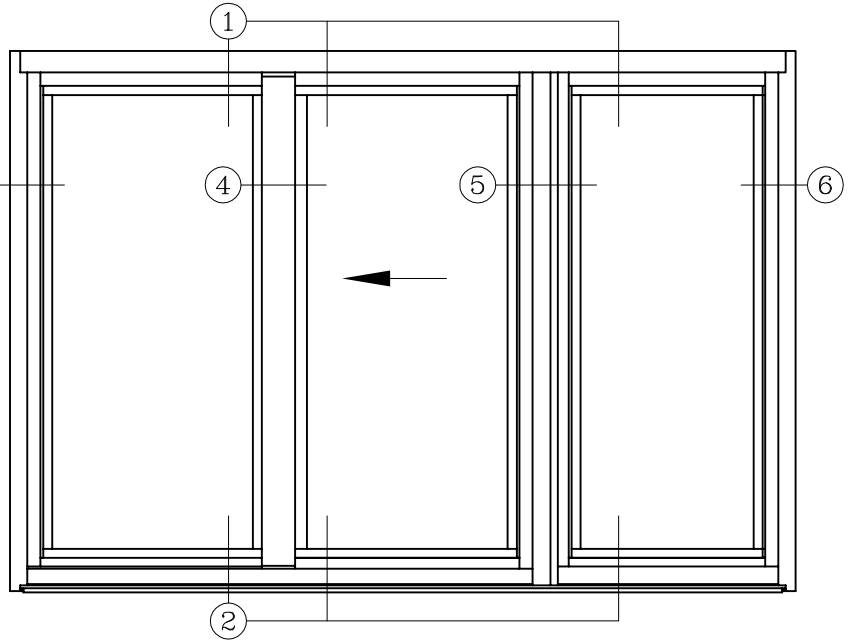
Note: Sealant Not Shown On Details. Consult Technical Services At Factory For Sealing Procedures.



Glazing

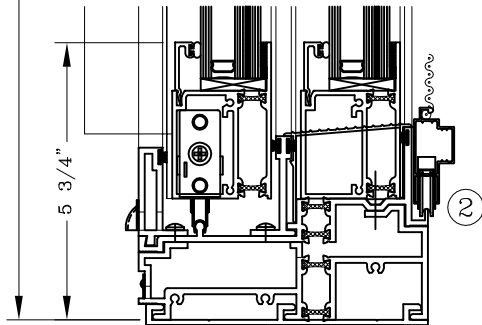
1 1/4" Shown Consist Of:
1/4" Tempered Exterior,
9/16" Lami. Interior Consisting Of
1/4" Tempered,
.080 PVB Interlayer,
1/4" Tempered

Door Dimension



ELEVATION

OXO - Shown
XOX - Opposite



15 PSF Sill

(For Additional Sills,
Refer To Options
Sheet S07_04)

