

Graham

# Sliding Glass Door - 6"

SGD-AW125 (WTP 15 PSF)



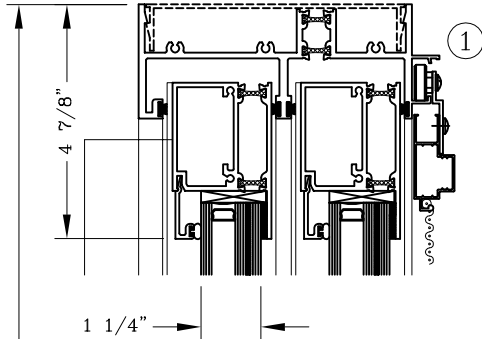
Architectural Products

Series: S0700

Manufacturing Code: S0701

Drawing 1/4 Scale - For Custom Size Drawing Contact Graham

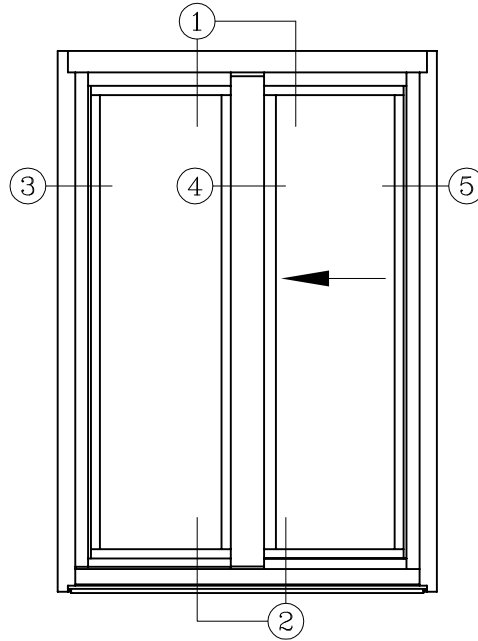
Note: Sealant Not Shown On Details. Consult Technical Services At Factory For Sealing Procedures.



Glazing

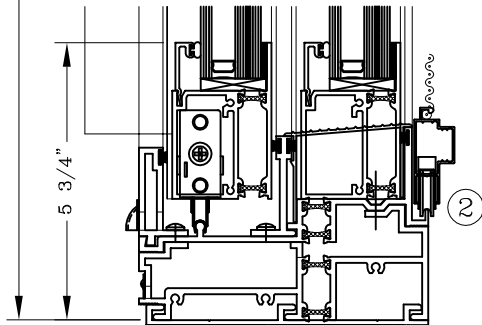
1 1/4" Shown Consist Of:  
1/4" Tempered Exterior,  
9/16" Lami. Interior Consisting Of  
1/4" Tempered,  
.080 PVB Interlayer,  
1/4" Tempered

Door Dimension



ELEVATION

OX - Shown  
XO - Opposite



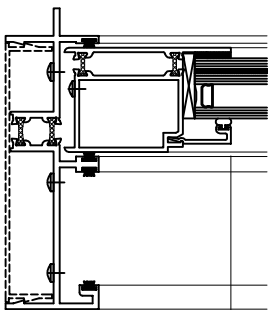
15 PSF Sill

(For Additional Sills,  
Refer To Options  
Sheet S07\_04)

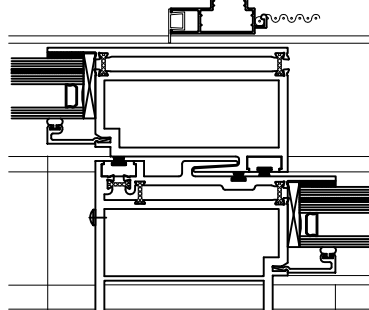
3

4

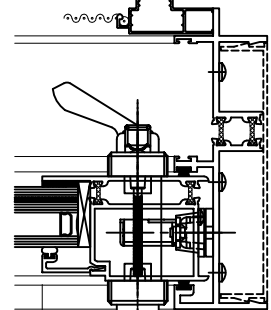
5



4 11/16"



6"



4 11/16"

Door Dimension