

Graham

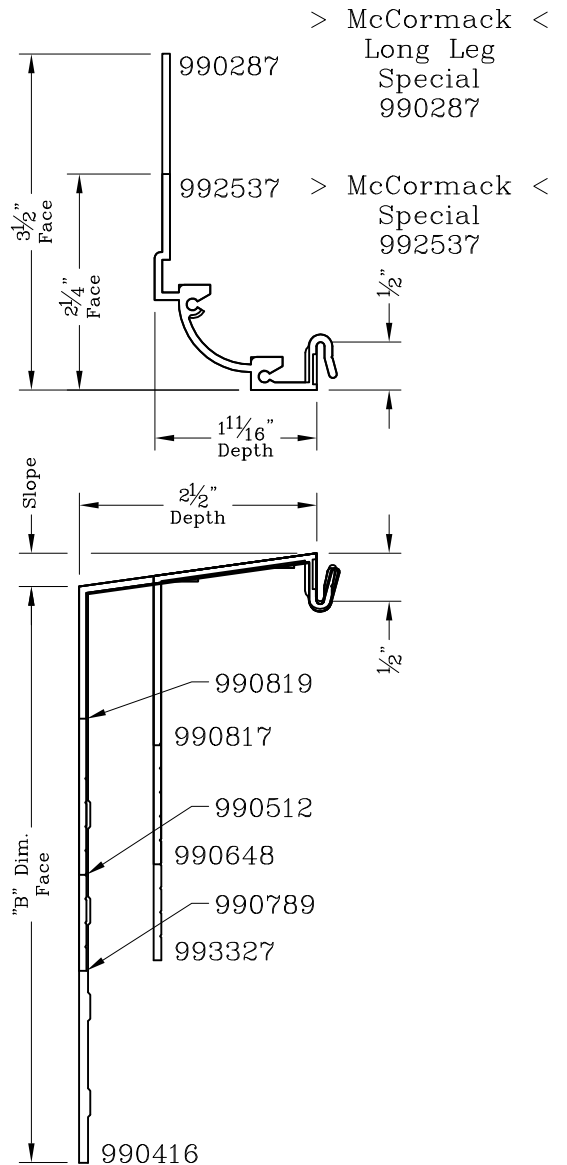
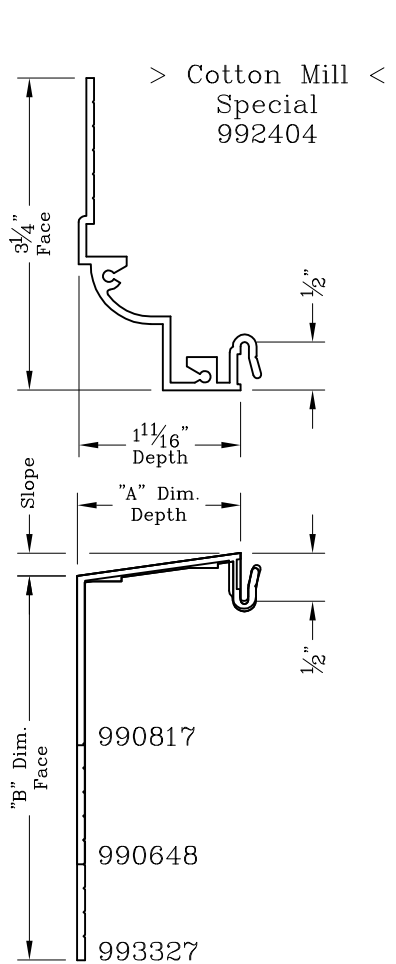


Architectural Products

Wraparound Contoured Panning Convex 90° Radius With Curving Step

Series: Accessories Manufacturing Code: PN15

Drawing 1/2 Scale – For Custom Size Drawing Contact Graham



> Curving Available <

Cotton Mill Special Mating Sills			
Description	"A" Dim. x "B" Dim.	Extrusion Die #99	Slope =
#10-2 S	1.698 x 2.000	0817	.239
#10-3 S	1.698 x 3.000	0648	.239
#10-4 S	1.698 x 4.000	3327	.239

> Curving Available <

McCormack/McCormack LL Special Mating Sills			
Description	"A" Dim. x "B" Dim.	Extrusion Die #99	Slope =
#8-1.375 S	2.475 x 1.375	0819	.348
#8-3 S	2.475 x 3.000	0512	.348
#8-4 S	2.475 x 4.000	0789	.348
#8-6 S	2.475 x 6.000	0416	.348
#10-2 S	1.698 x 1.761	0817	.239
#10-3 S	1.698 x 3.000	0648	.239
#10-4 S	1.698 x 4.000	3327	.239