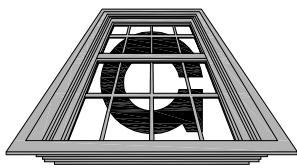


Graham

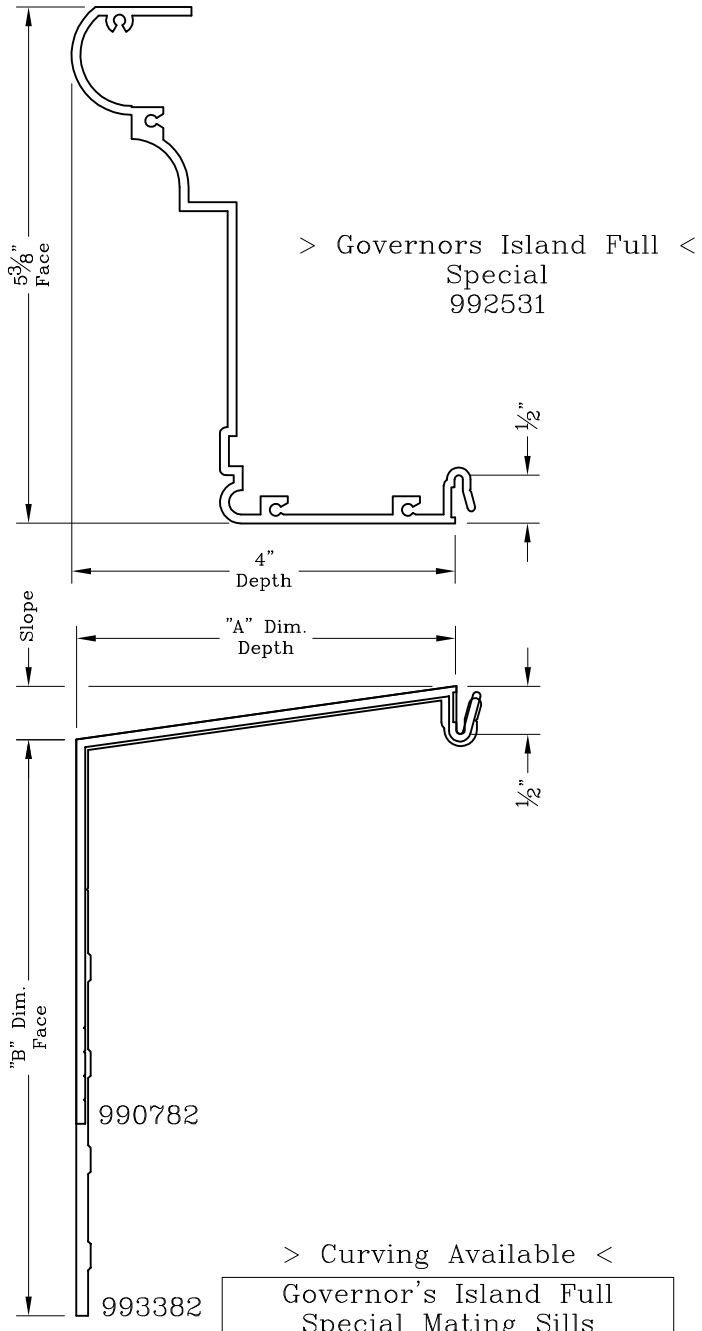
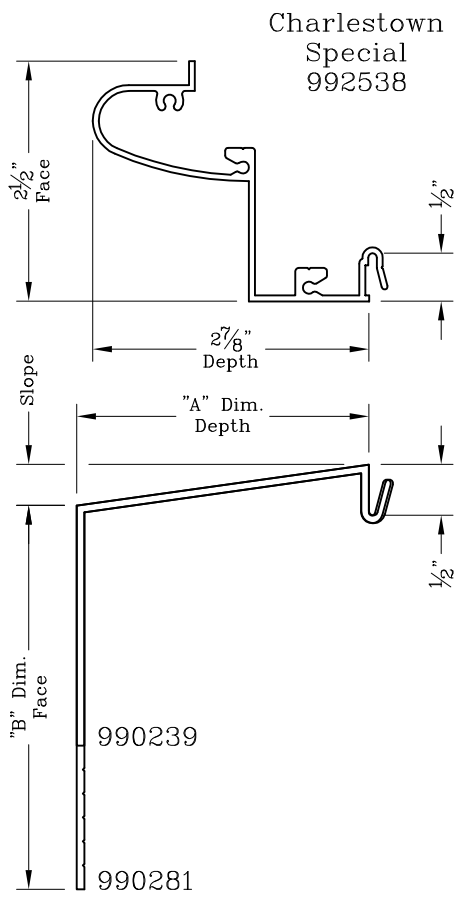


Architectural Products

# Wraparound Contoured Panning Convex Variation

Series: Accessories Manufacturing Code: PN11

Drawing 1/2 Scale - For Custom Size Drawing Contact Graham



Charleston Special Mating Sills

Description	"A" Dim. x "B" Dim.	Extrusion Die #99	Slope =
DEL #3.04-2.5	3.043 x 2.500	0239	.428
DEL #3.04-4	3.043 x 4.000	0281	.428

> Curving Available <  
Governor's Island Full Special Mating Sills

Description	"A" Dim. x "B" Dim.	Extrusion Die #99	Slope =
#3-4 S	3.956 x 4.000	0782	.556
#3-6 S	3.956 x 6.000	3382	.556