

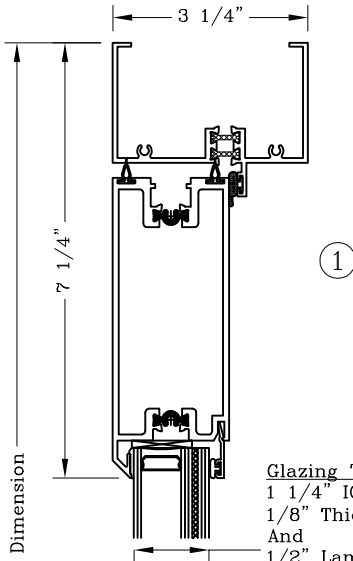
Hurricane Impact – 3 1/4” Terrace Door With ADA Sill



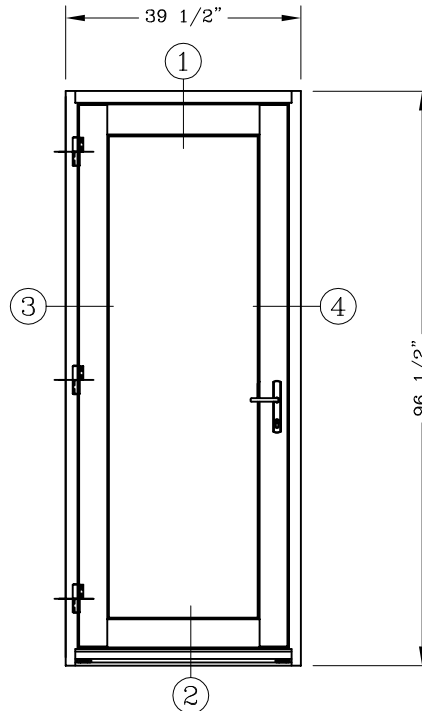
Series: HIS7400 Manufacturing Code: HIS7404

Drawing 1/2 Scale – For Custom Size Drawing Contact Graham

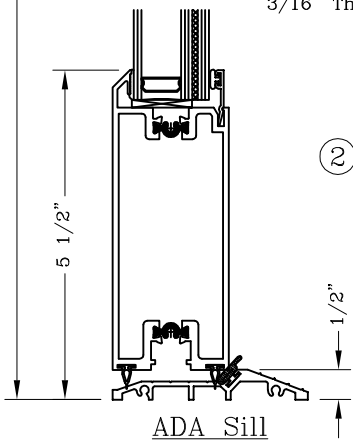
Note: Sealant Not Shown On Details. Consult Technical Services At Factory For Sealing Procedures.



Glazing To Be:
1 1/4" IG Consisting Of;
1/8" Thick Tempered
And
1/2" Lami Consisting Of:
3/16" Thick Heat Strengthened Annealed Exterior,
.090 PVB Interlayer (Solutia)
3/16" Thick Heat Strengthened Annealed Interior

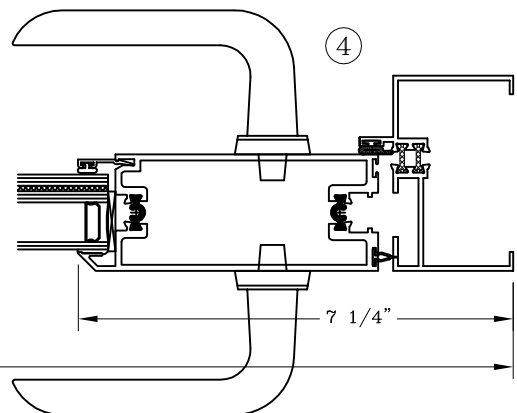
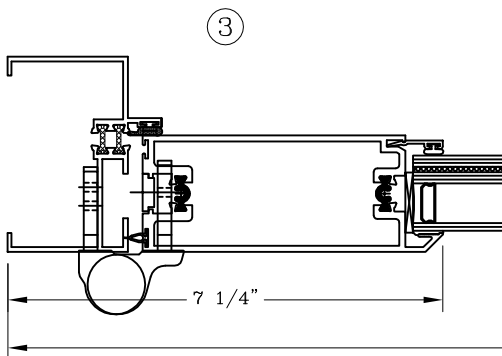


ELEVATION
42" x 90" Tested



ADA Sill

INSTALLATION TYPES
1. Through Frame Anchors At Head And Jamb.
(Not Tested)



Note: Dashed Lines Represent Inswing Vented Units; Solid Lines Represent
Outswing Vented Units; Lines Converge At Hinge Side Of Vent