

Graham



Architectural Products

Hurricane Impact - 5"

4-Track Double Hung

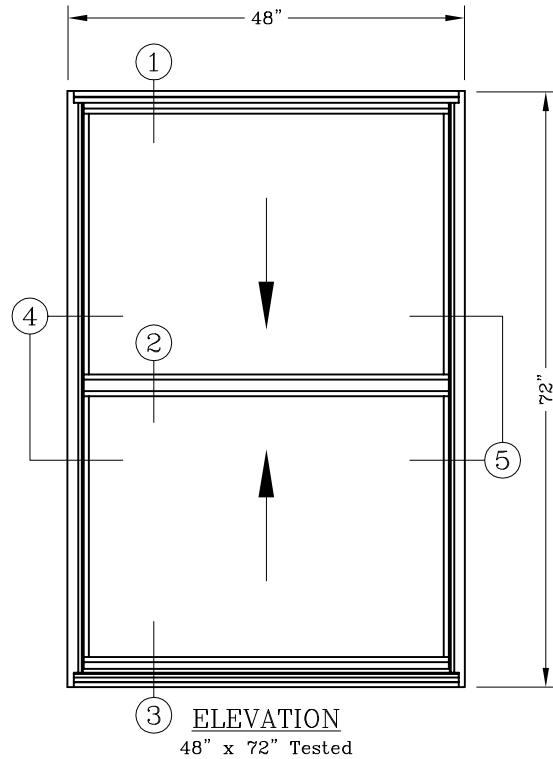
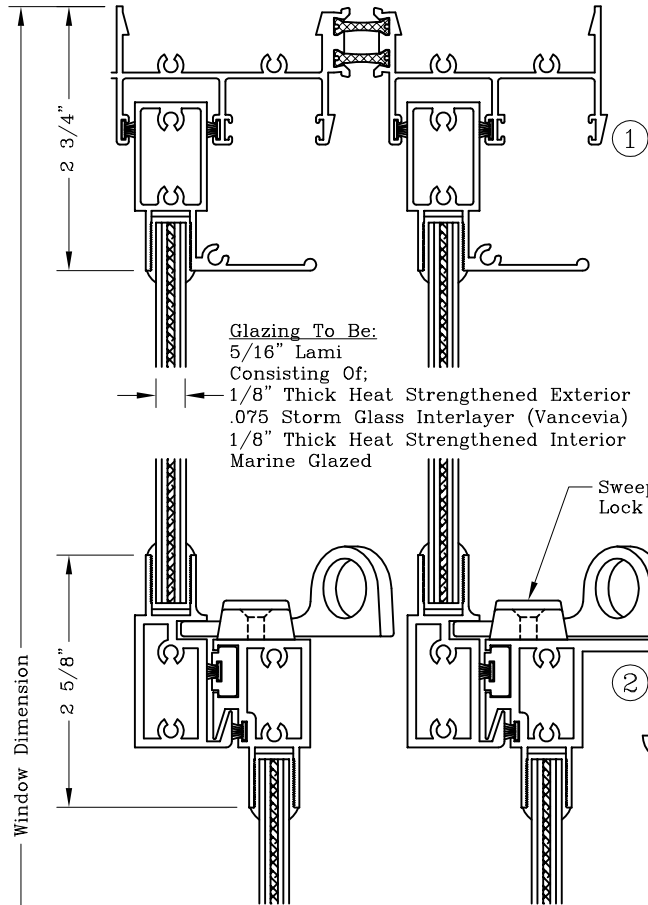
Tested To +60DP/-60DP (Large Missile)

Series: HI2400

Manufacturing Code: HI2402

Drawing 1/2 Scale - For Custom Size Drawing Contact Graham

Note: Sealant Not Shown On Details. Consult Technical Services At Factory For Sealing Procedures.



INSTALLATION TYPES

1. Through Frame Anchors At Head And Jamb.
 2. Trim Clip Across Sill.
- (Reference Test Report #62502.01-109-18)

