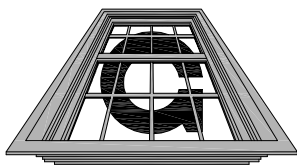


Graham



Architectural Products

Hurricane Impact - 4 1/2"

4-Track Double Hung

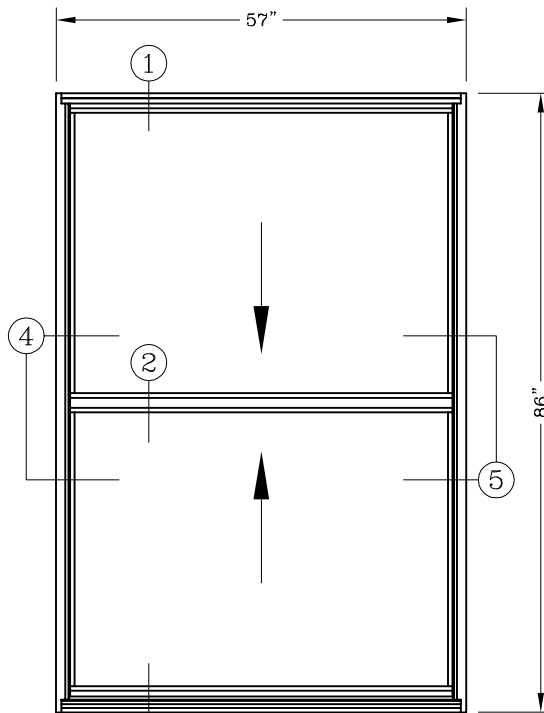
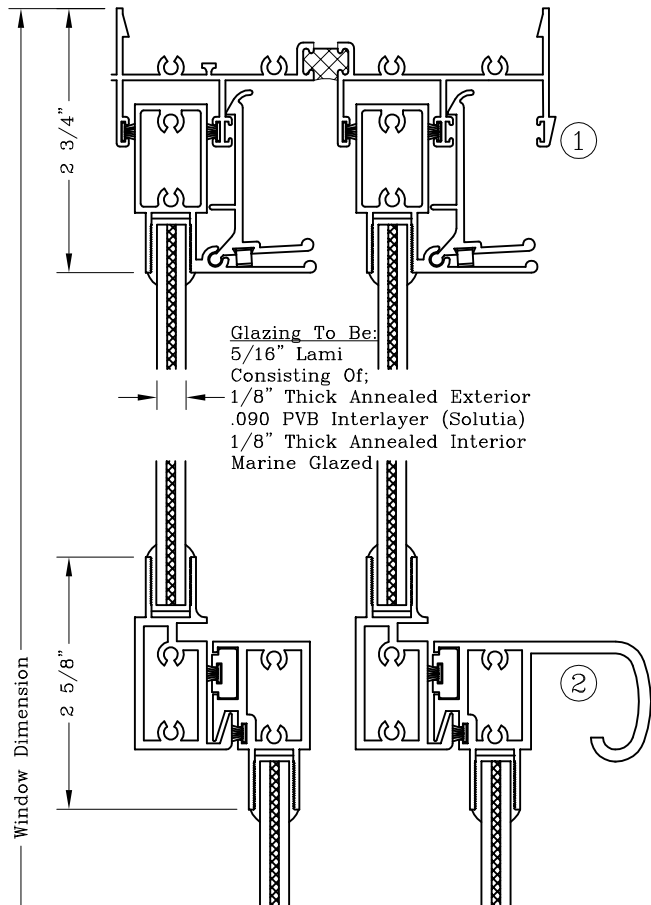
Tested To +40DP/-40DP (Large Missile)

Series: HI2400

Manufacturing Code: HI2401

Drawing 1/2 Scale - For Custom Size Drawing Contact Graham

Note: Sealant Not Shown On Details. Consult Technical Services At Factory For Sealing Procedures.



3 ELEVATION

57" x 86" Tested

INSTALLATION TYPES

1. Through Frame Anchors At Head And Jamb.
 2. Trim Clip Across Sill.
- (Reference Test Report #01-44898.01)

