

Graham



Architectural Products

Hurricane Impact - 4"

Historic Fixed

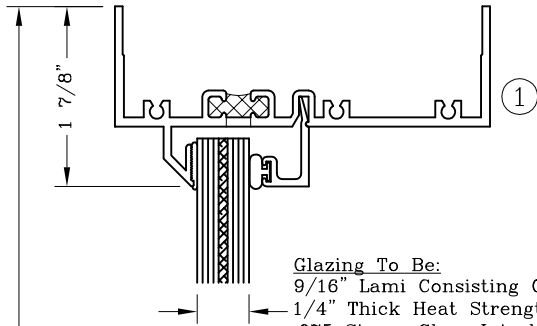
Tested To +70DP/-100DP (Large Missile)

Series: HI1400

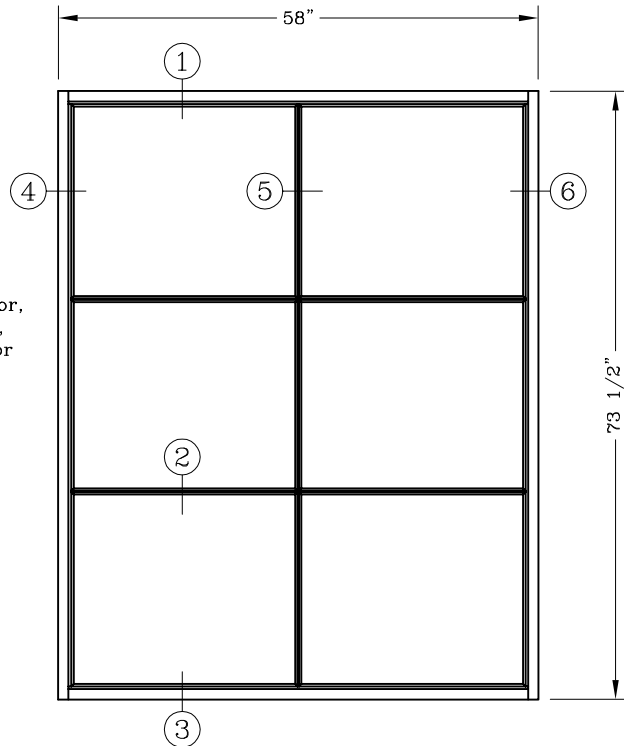
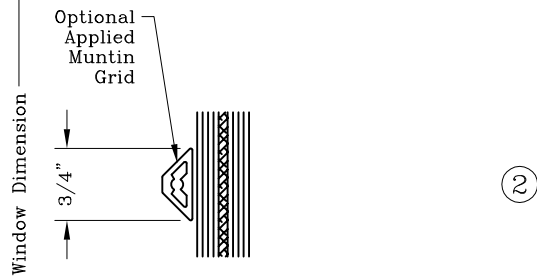
Manufacturing Code: HI1404

Drawing 1/2 Scale - For Custom Size Drawing Contact Graham

Note: Sealant Not Shown On Details. Consult Technical Services At Factory For Sealing Procedures.



Glazing To Be:
 9/16" Lami Consisting Of;
 1/4" Thick Heat Strengthened Exterior,
 .075 Storm Glass Interlayer (Solutia),
 1/4" Thick Heat Strengthened Interior



ELEVATION

58" x 73 1/2" Tested

INSTALLATION TYPES

1. Receptor At Head And Jamb, And Sill Starter
 (Reference Test Report #59988.01-122-18)

