

Graham



Architectural Products

# Hurricane Impact - 4"

## Historic Fixed

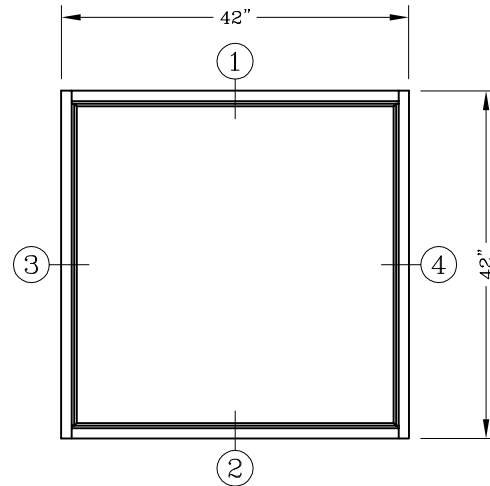
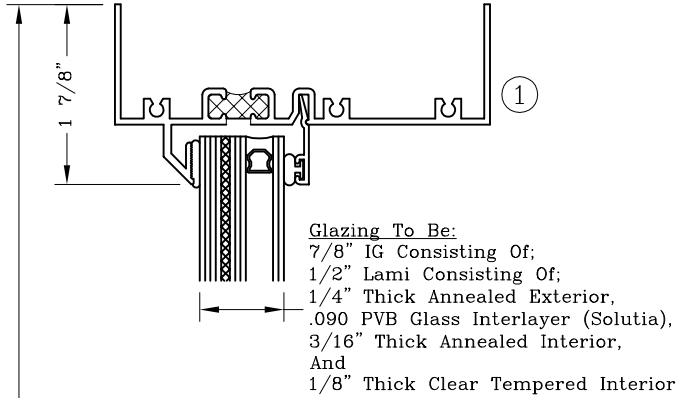
Tested To +43DP/-61DP (Large Missile)

Series: HI1400

Manufacturing Code: HI1403

Drawing 1/2 Scale - For Custom Size Drawing Contact Graham

Note: Sealant Not Shown On Details. Consult Technical Services At Factory For Sealing Procedures.



ELEVATION  
42" x 42" Tested

INSTALLATION TYPES

1. Trim And Clip  
 (Reference Test Report #53501.01-122-18)

Window Dimension

