

Graham



Architectural Products

Hurricane Impact - 4"

Fixed

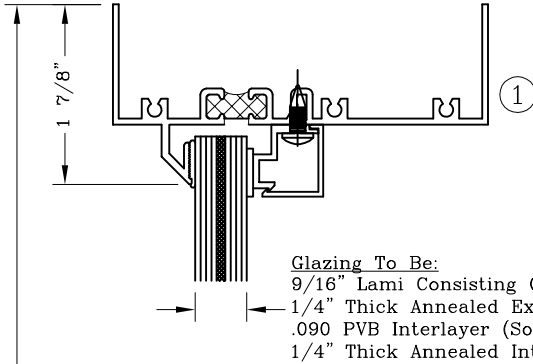
Tested To +50DP/-70DP (Small Missile)

Series: HI1400

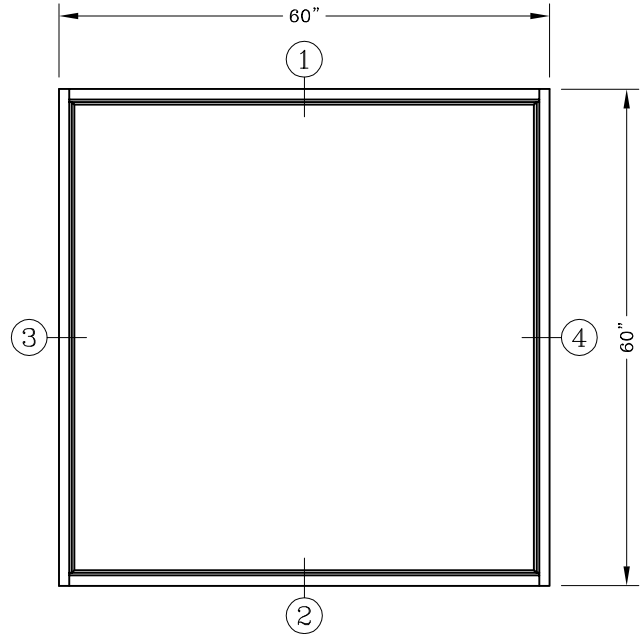
Manufacturing Code: HI1401

Drawing 1/2 Scale - For Custom Size Drawing Contact Graham

Note: Sealant Not Shown On Details. Consult Technical Services At Factory For Sealing Procedures.



Glazing To Be:
 9/16" Lami Consisting Of;
 1/4" Thick Annealed Exterior,
 .090 PVB Interlayer (Solutia),
 1/4" Thick Annealed Interior



ELEVATION

60" x 60" Tested

INSTALLATION TYPES

1. Trim And Clip

(Reference Test Report #01-43222.03)

Window Dimension

