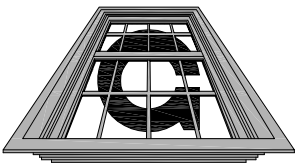


Graham



Architectural Products

# Hurricane Impact - 4"

Sliding Glass Door

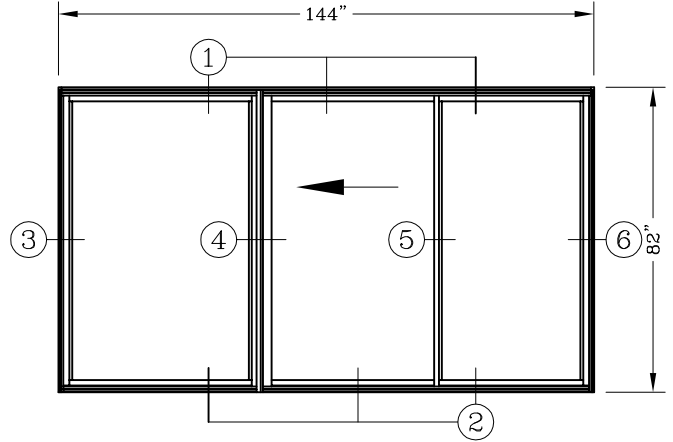
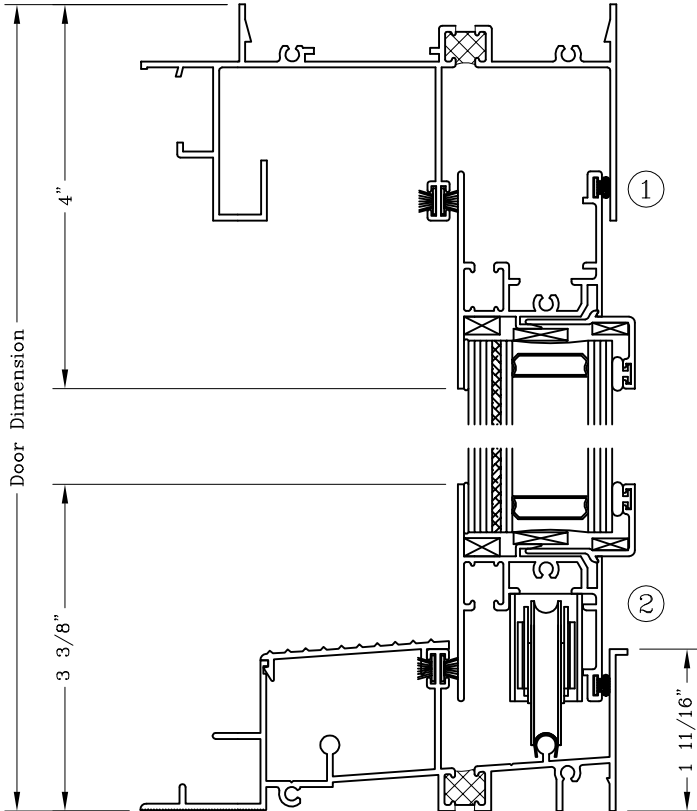
Tested To +40DP/-40DP (Large Missile)

Series: HI0800

Manufacturing Code: HI0802

Drawing 1/2 Scale - For Custom Size Drawing Contact Graham

Note: Sealant Not Shown On Details. Consult Technical Services At Factory For Sealing Procedures.



**ELEVATION**

OXO Shown  
144" x 82" Tested

**INSTALLATION TYPES**

1. Through Frame Anchors At Head And Jamb.
  2. Trim Clip Across Sill.
- (Reference Test Report #01-46785.01)

Note:  
Vertical Sections below 1/4 Scale.

Glazing To Be:  
1 1/2" IG Consisting Of;  
1/2" Lami Consisting Of;  
1/4" Thick Annealed Exterior  
.090 PVB (Solutia)  
3/16" Thick Annealed Interior  
And  
1/4" Thick Tempered Interior

