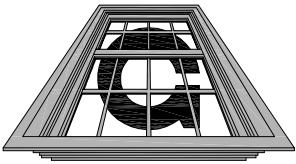


Graham



Architectural Products

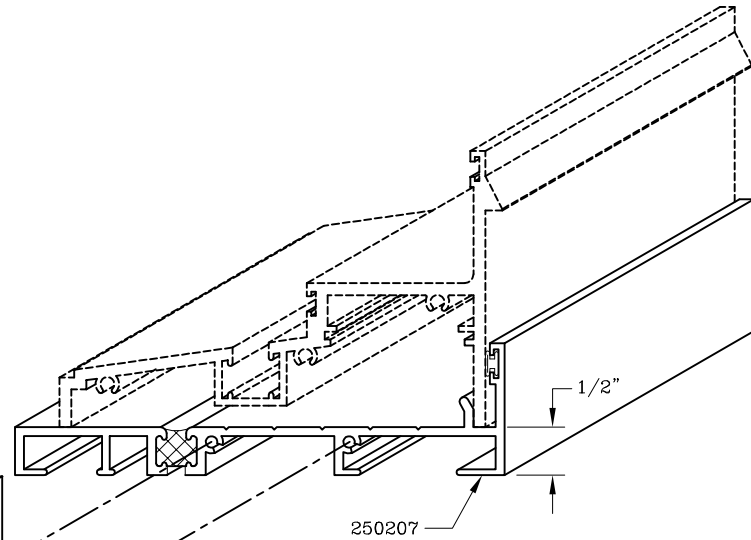
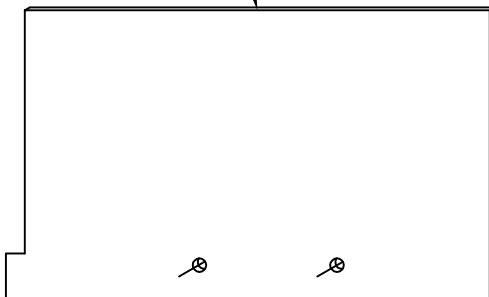
Accessories – 4 1/2" Products

Series: Accessories Manufacturing Code: AC06D

Drawing 1/2 Scale – For Custom Size Drawing Contact Graham

Note: Sealant Not Shown On Details. Consult Technical Services At Factory For Sealing Procedures.

End Cap P/N 922539
Attached With
#6x 3/4 PH PN LP 410
P/N 939097



250207

1/2"

Equal Leg Sill Starter