

Graham

Accessories – 4 1/2" Products

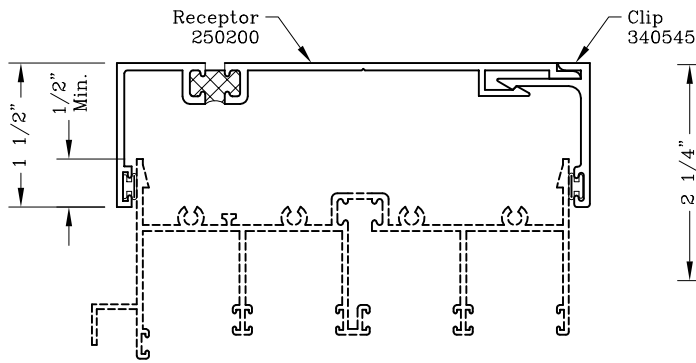


Architectural Products

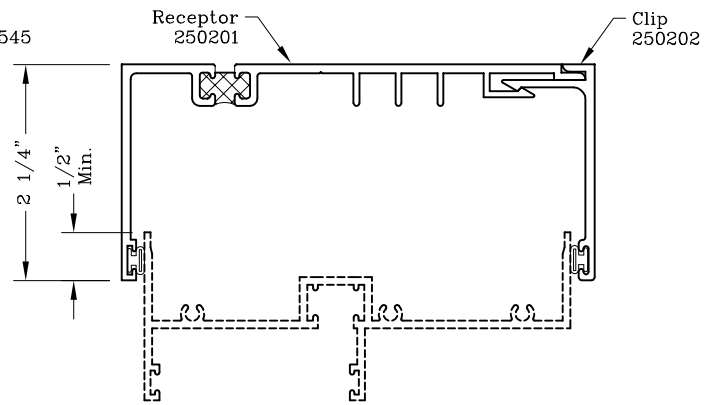
Series: Accessories Manufacturing Code: AC06A

Drawing 1/2 Scale – For Custom Size Drawing Contact Graham

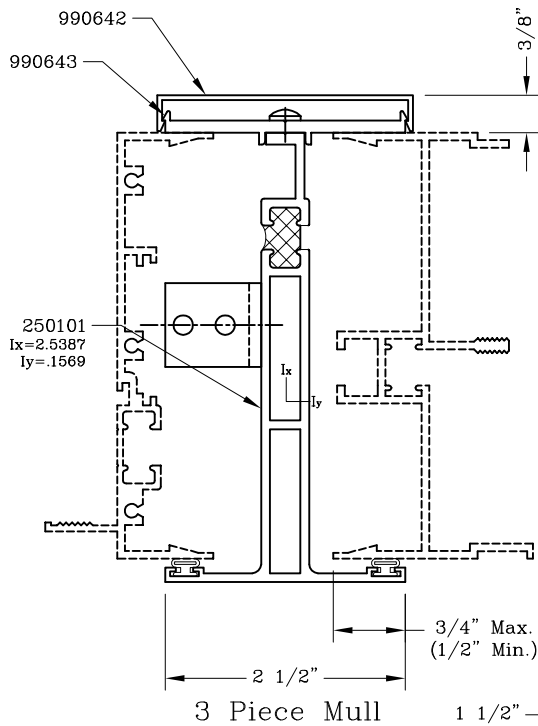
Note: Sealant Not Shown On Details. Consult Technical Services At Factory For Sealing Procedures.



Receptor & Clip



Receptor & Clip



3 Piece Mull

End Cap P/N 922527
Attached With
#6x 3/4 PH PN LP 410
P/N 939097

