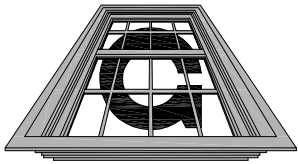


Graham



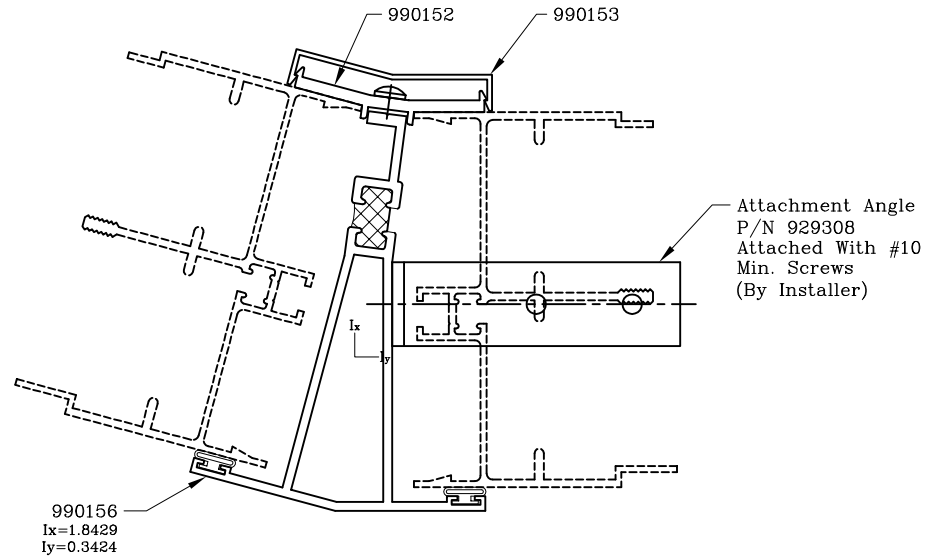
Architectural Products

Accessories – 4" Products

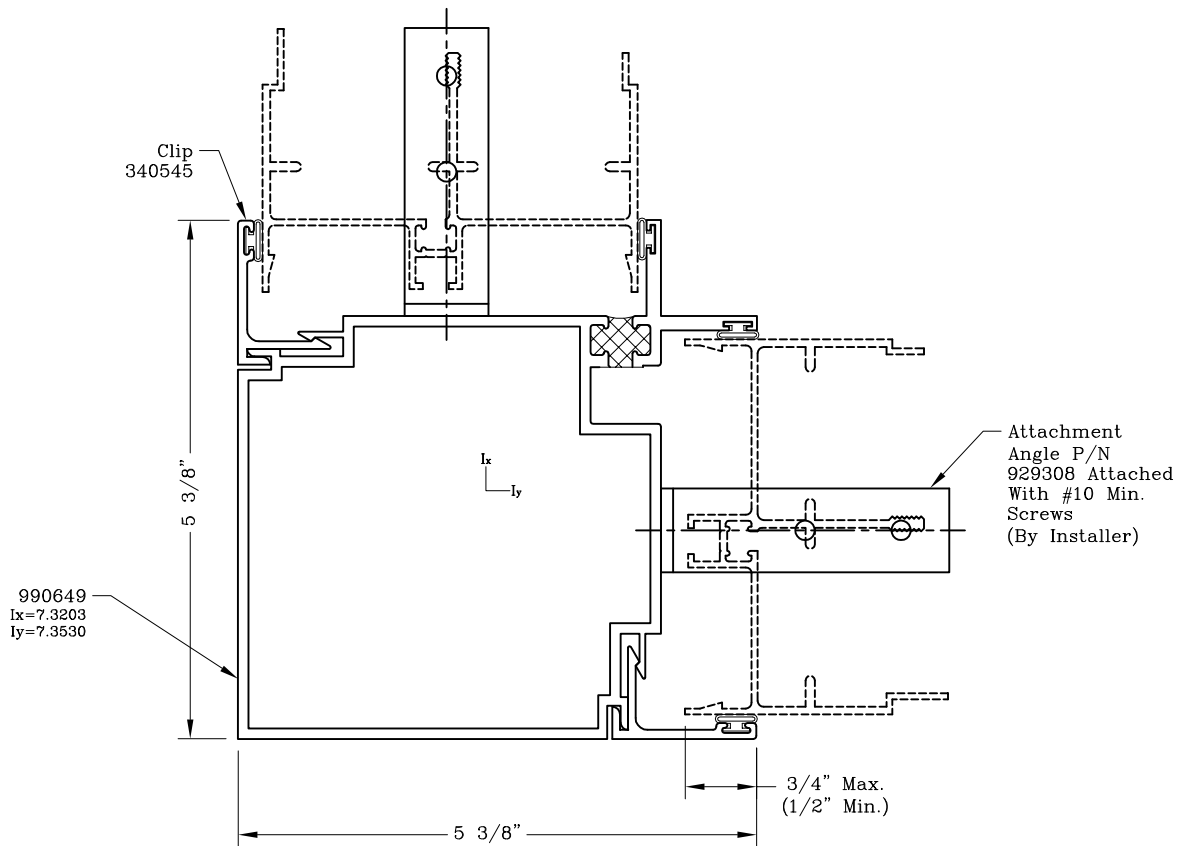
Series: Accessories Manufacturing Code: AC05G

Drawing 1/2 Scale – For Custom Size Drawing Contact Graham

Note: Sealant Not Shown On Details. Consult Technical Services At Factory For Sealing Procedures.



135° 3 Piece Mull



90° Corner Mull