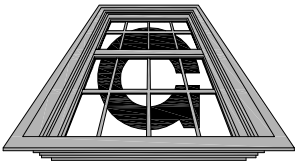


Graham



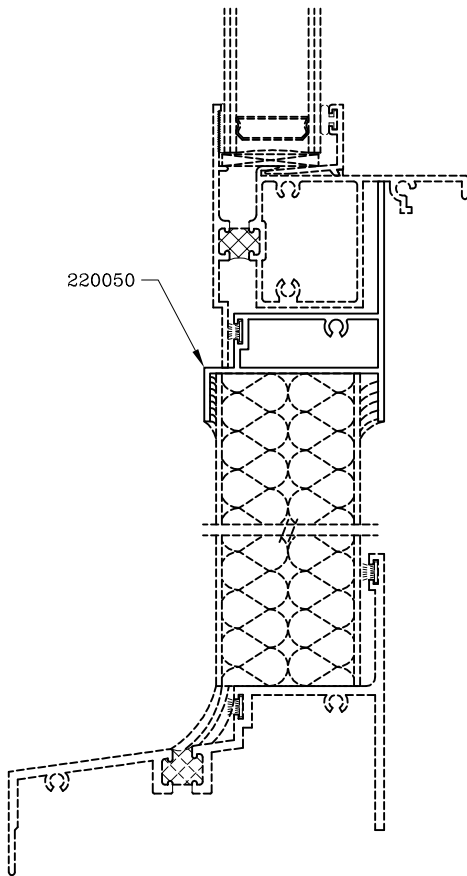
Architectural Products

# Accessories – 4” Products

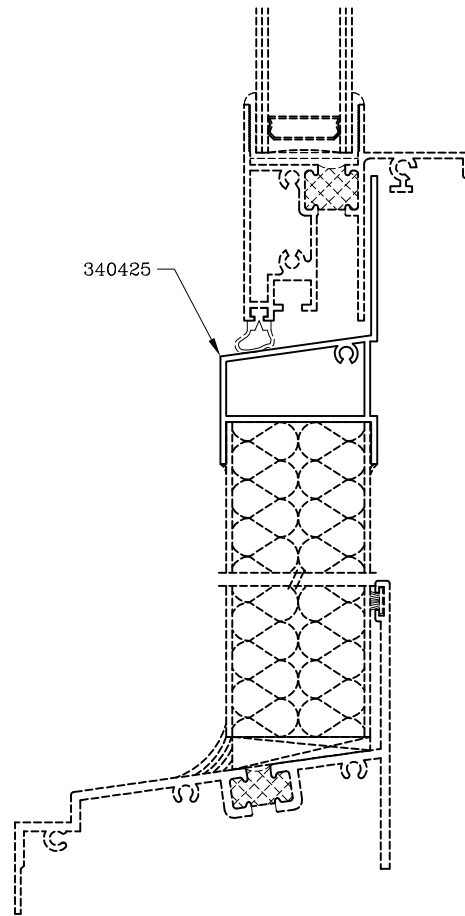
Series: Accessories Manufacturing Code: AC05E

Drawing 1/2 Scale – For Custom Size Drawing Contact Graham

Note: Sealant Not Shown On Details. Consult Technical Services At Factory For Sealing Procedures.



Panel Adapter  
(2200 Series)



Panel Adapter  
(3400 Series)