

Graham



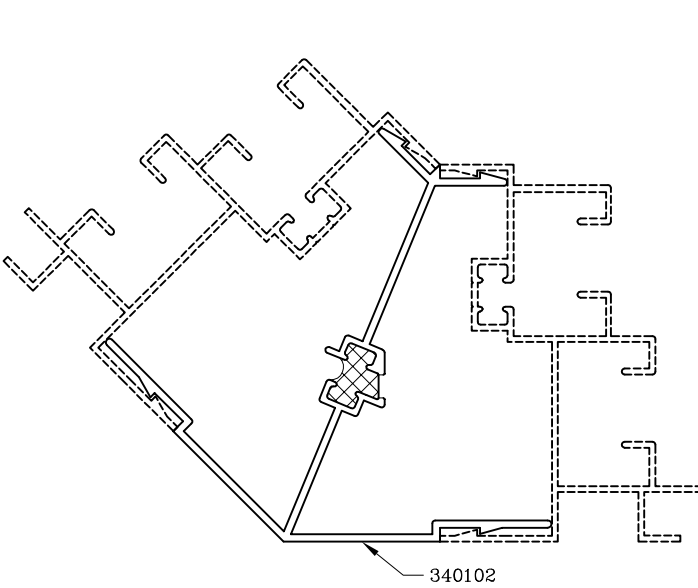
Architectural Products

# Accessories – 4” Products

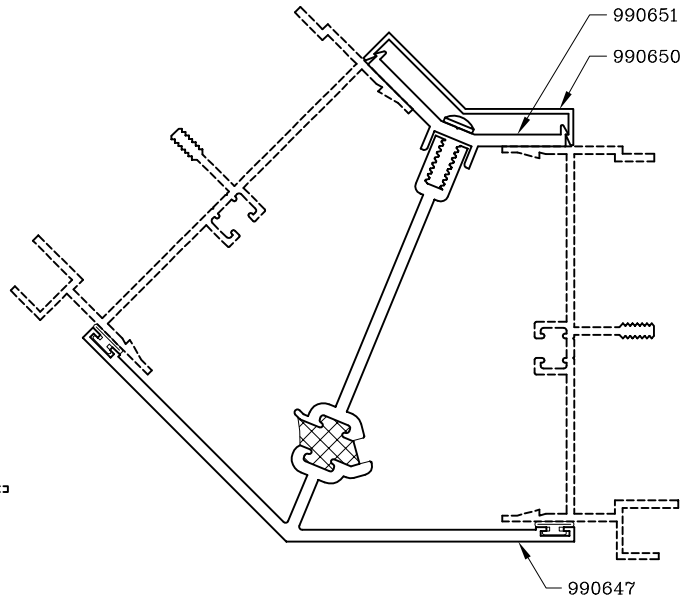
Series: Accessories Manufacturing Code: AC05B

Drawing 1/2 Scale – For Custom Size Drawing Contact Graham

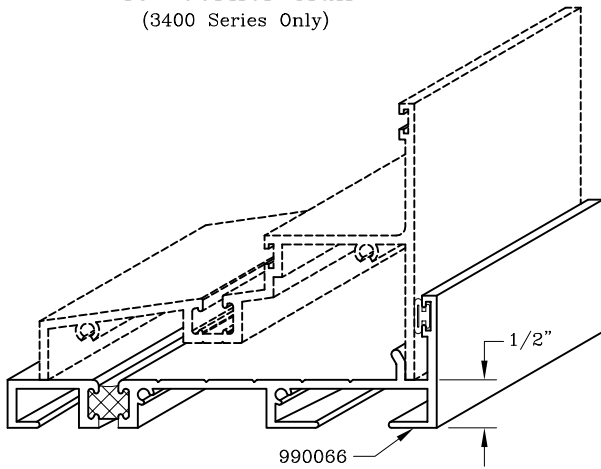
Note: Sealant Not Shown On Details. Consult Technical Services At Factory For Sealing Procedures.



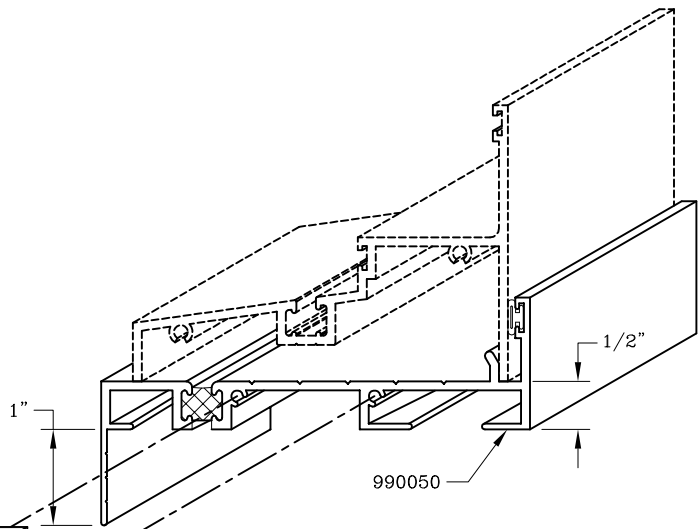
45° Corner Mull  
(3400 Series Only)



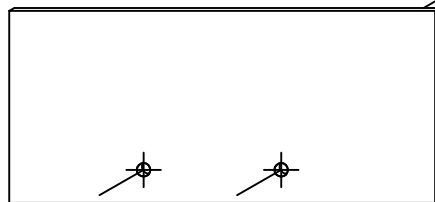
3 Piece 45° Corner Mull



Equal Leg Sill Starter  
(Shown With 2200 Series Sill)



Sill Starter With 1” Flange  
(Shown With 2200 Series Sill)



End Cap – P/N 928162  
Attached With  
#6x 3/4 PH PN LP 410  
P/N 939097