

Graham

Accessories – 4" Products

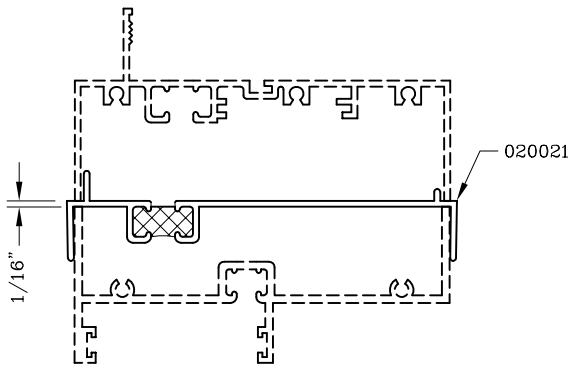


Architectural Products

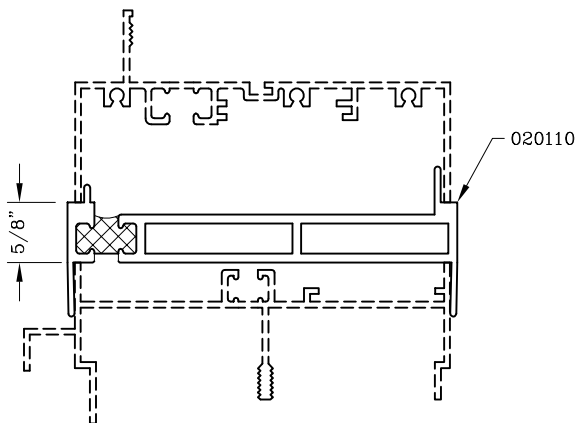
Series: Accessories Manufacturing Code: AC05A

Drawing 1/2 Scale – For Custom Size Drawing Contact Graham

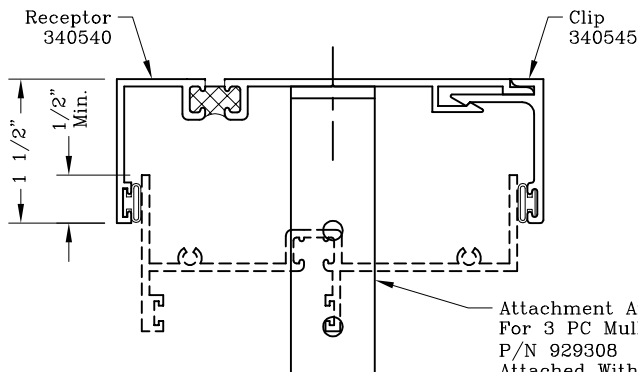
Note: Sealant Not Shown On Details. Consult Technical Services At Factory For Sealing Procedures.



Stack Mull

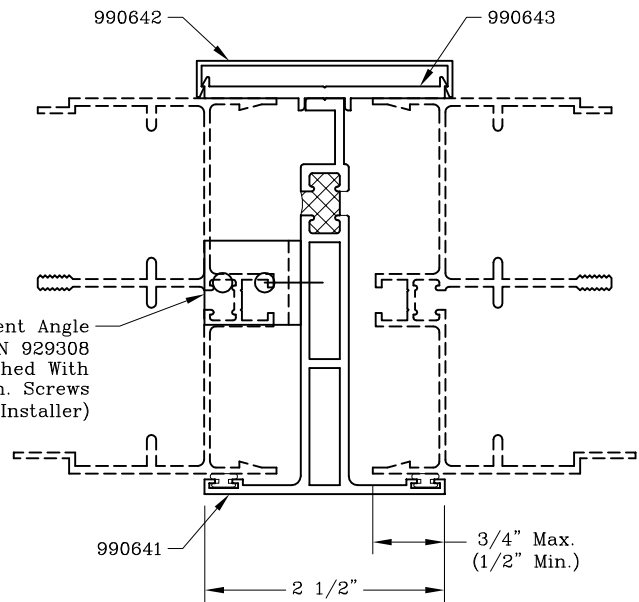


Tube Stack Mull

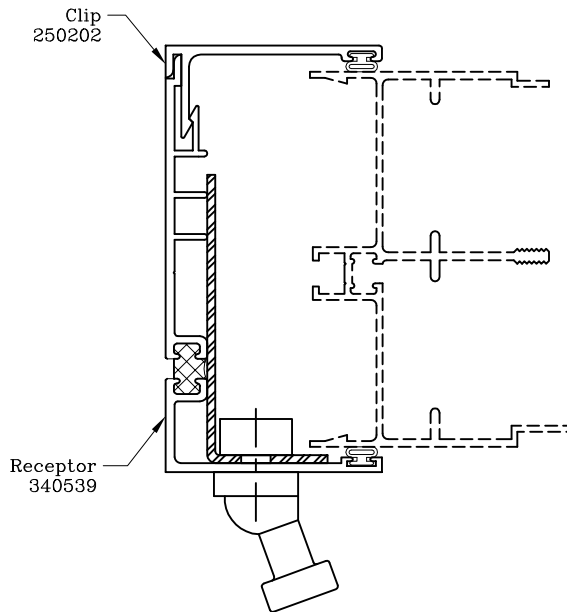


Receptor & Clip

Attachment Angle
P/N 929308
Attached With
#10 Min. Screws
(By Installer)



3 Piece Mull



Receptor & Clip
(To Be Used In Applications
Requiring Window Cleaner Bolts)