

Graham



Architectural Products

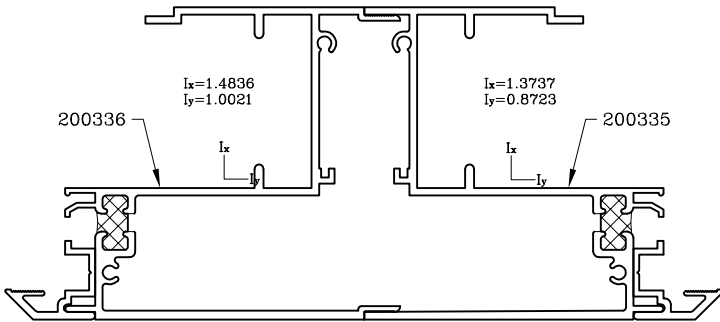
# Accessories – 3 1/4" Products Self-Mull Options

Series: Accessories Manufacturing Code: AC03D

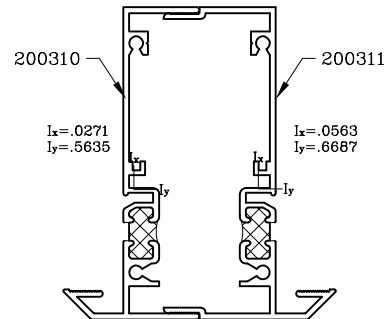
Drawing 1/2 Scale – For Custom Size Drawing Contact Graham

Note: Sealant Not Shown On Details. Consult Technical Services At Factory For Sealing Procedures.

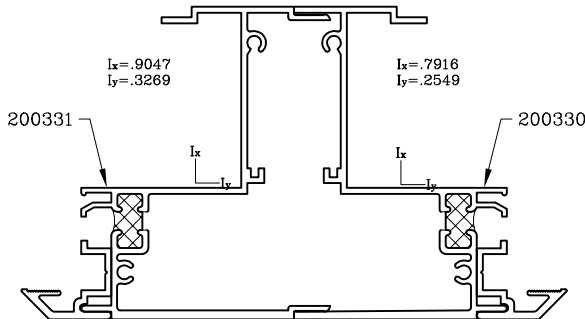
Note: Not All Options Are Shown, Contact Graham For Other Options.



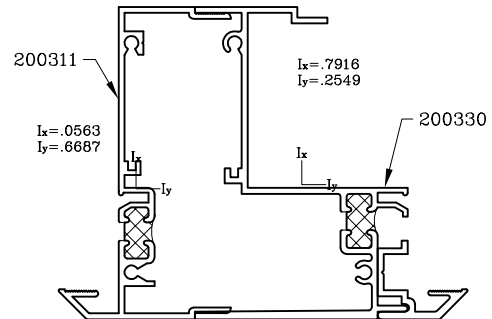
2000 Series With 2000 Series



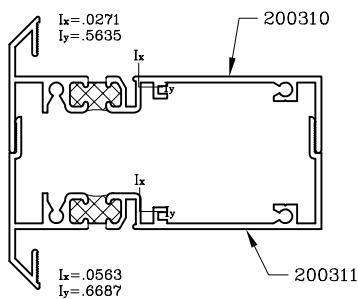
1200 Series With 1200 Series



2000 Series With 2000 Series



1200 Series With 2000 Series



1200 Series With 2000 Series