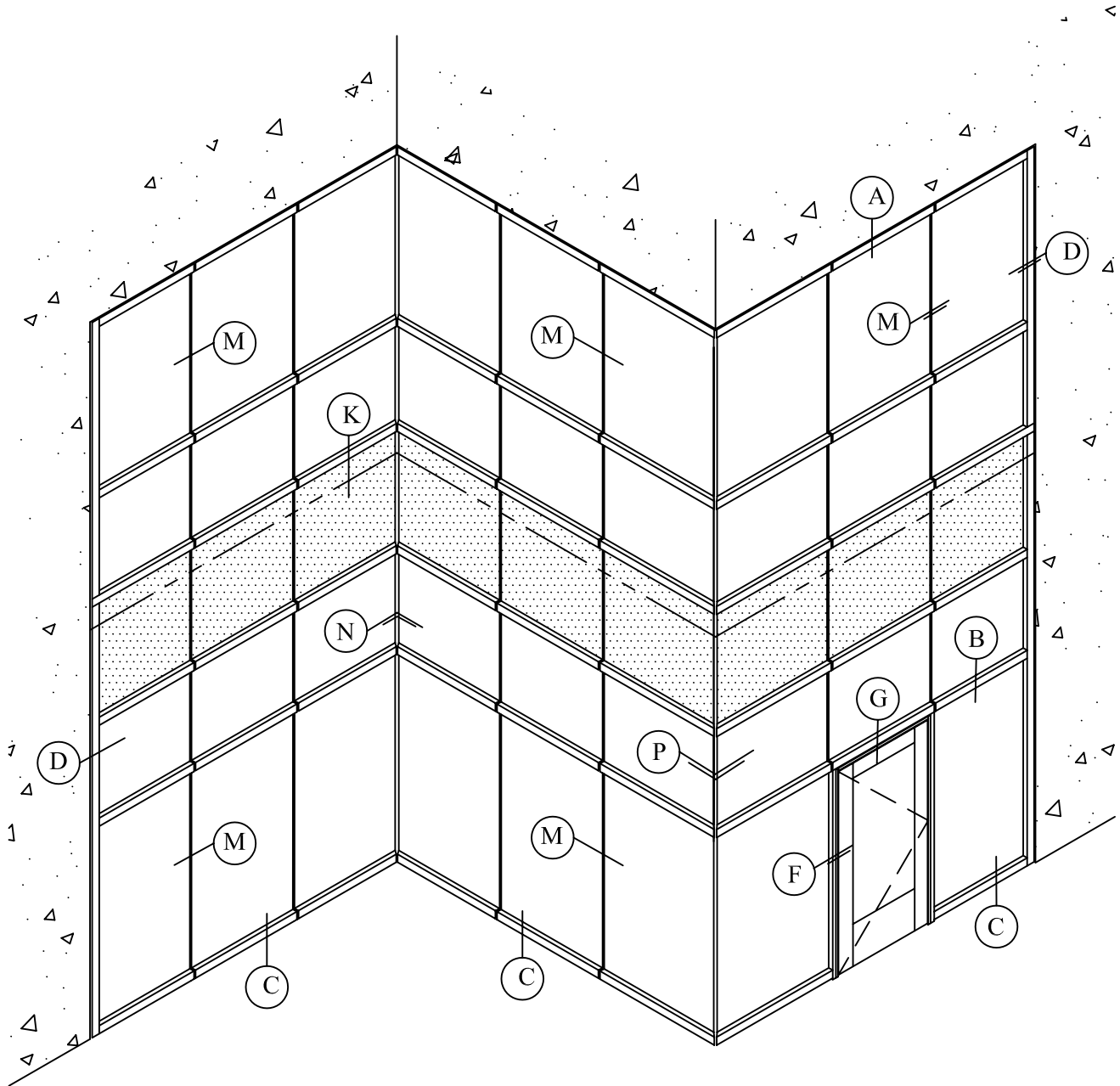


FM Graham US8375S Structurally Glazed Unitized Wall

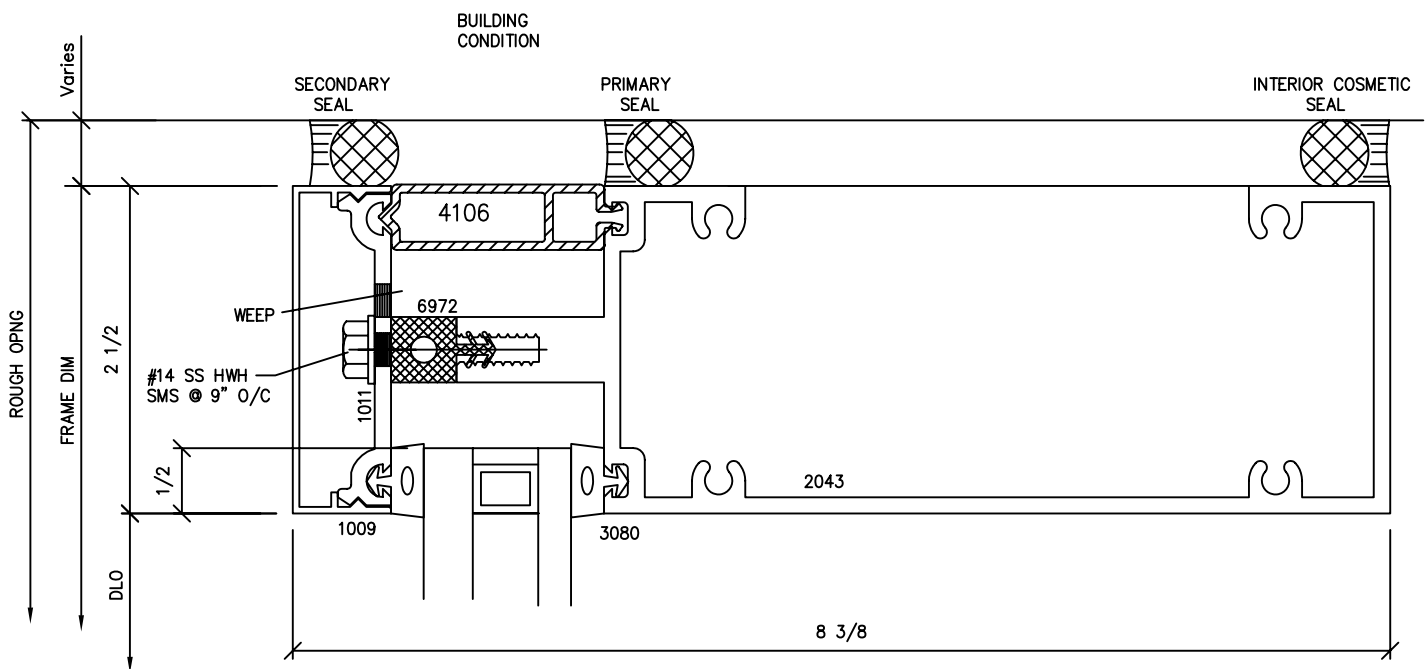


Elevation of Structurally Glazed Unitized Wall

FM Graham US8375S Structurally Glazed Unitized Wall

Go to: Elevation View

Standard Details, No Scale



A

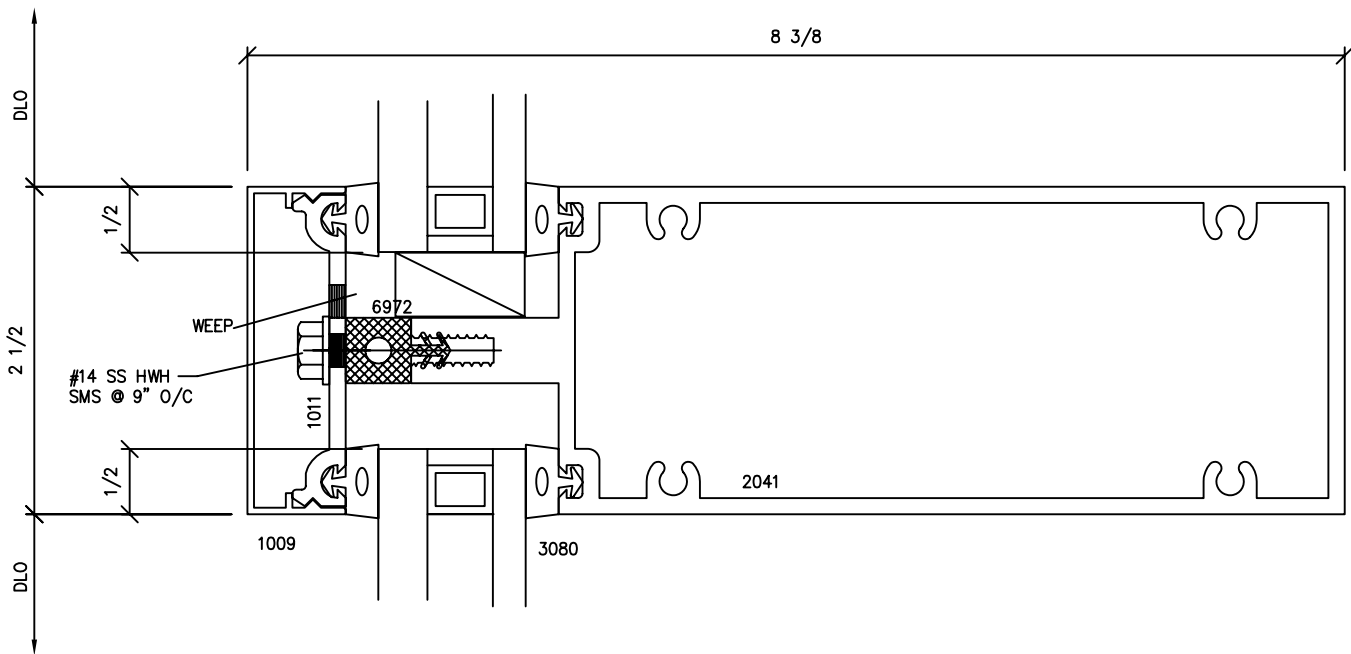
Head



FM Graham US8375S Structurally Glazed Unitized Wall

[Go to: Elevation View](#)

Standard Details, No Scale



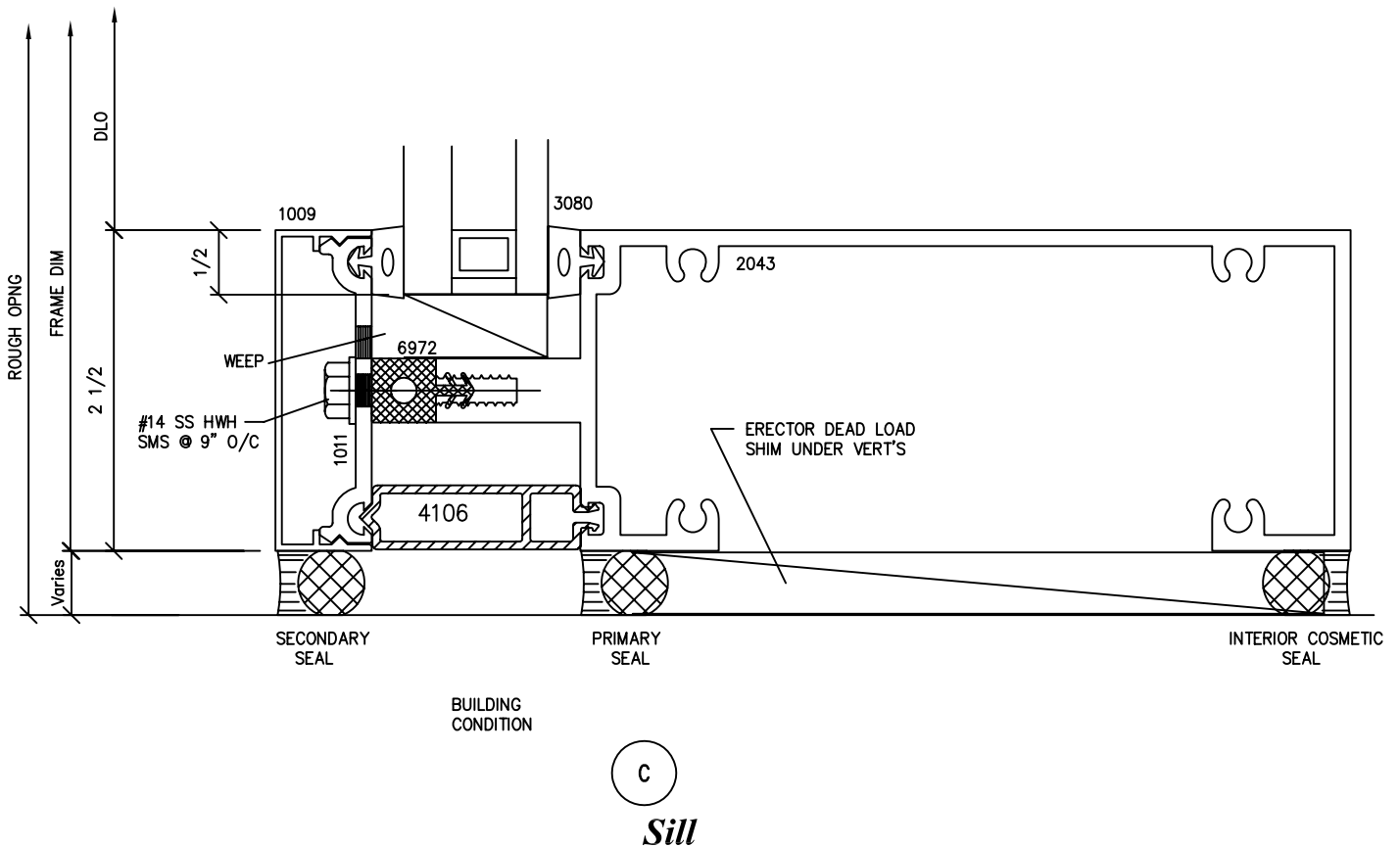
B

Horizontal

FM Graham US8375S Structurally Glazed Unitized Wall

Go to: Elevation View

Standard Details, No Scale

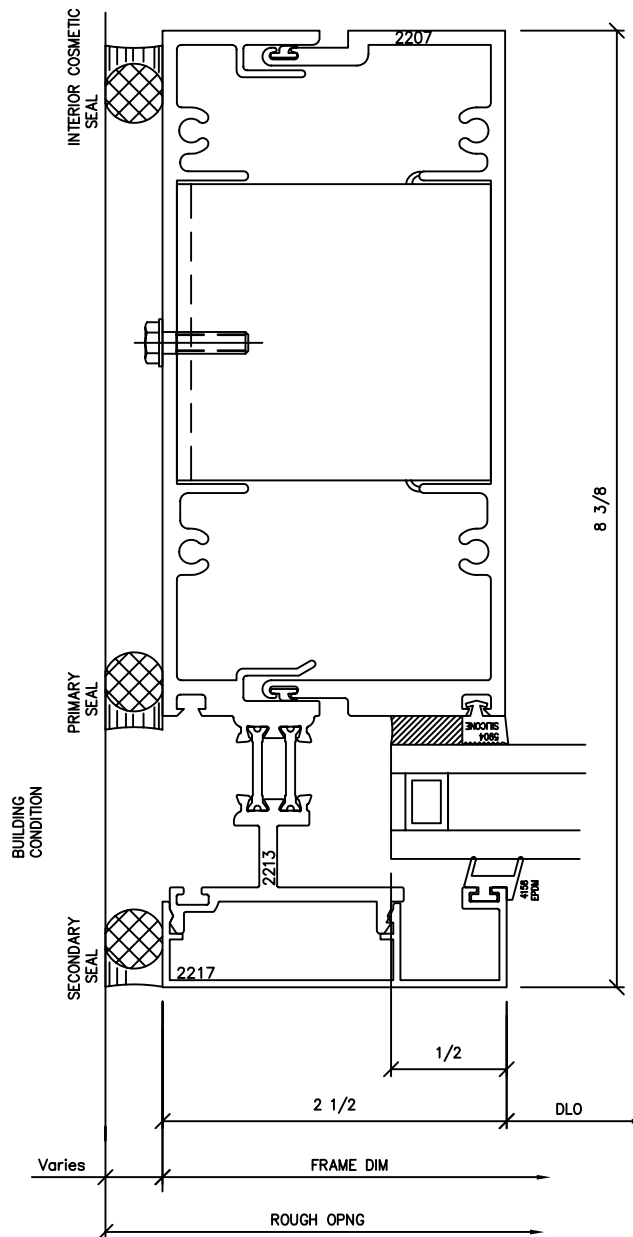




FM Graham US8375S Structurally Glazed Unitized Wall

Go to: Elevation View

Standard Details, No Scale

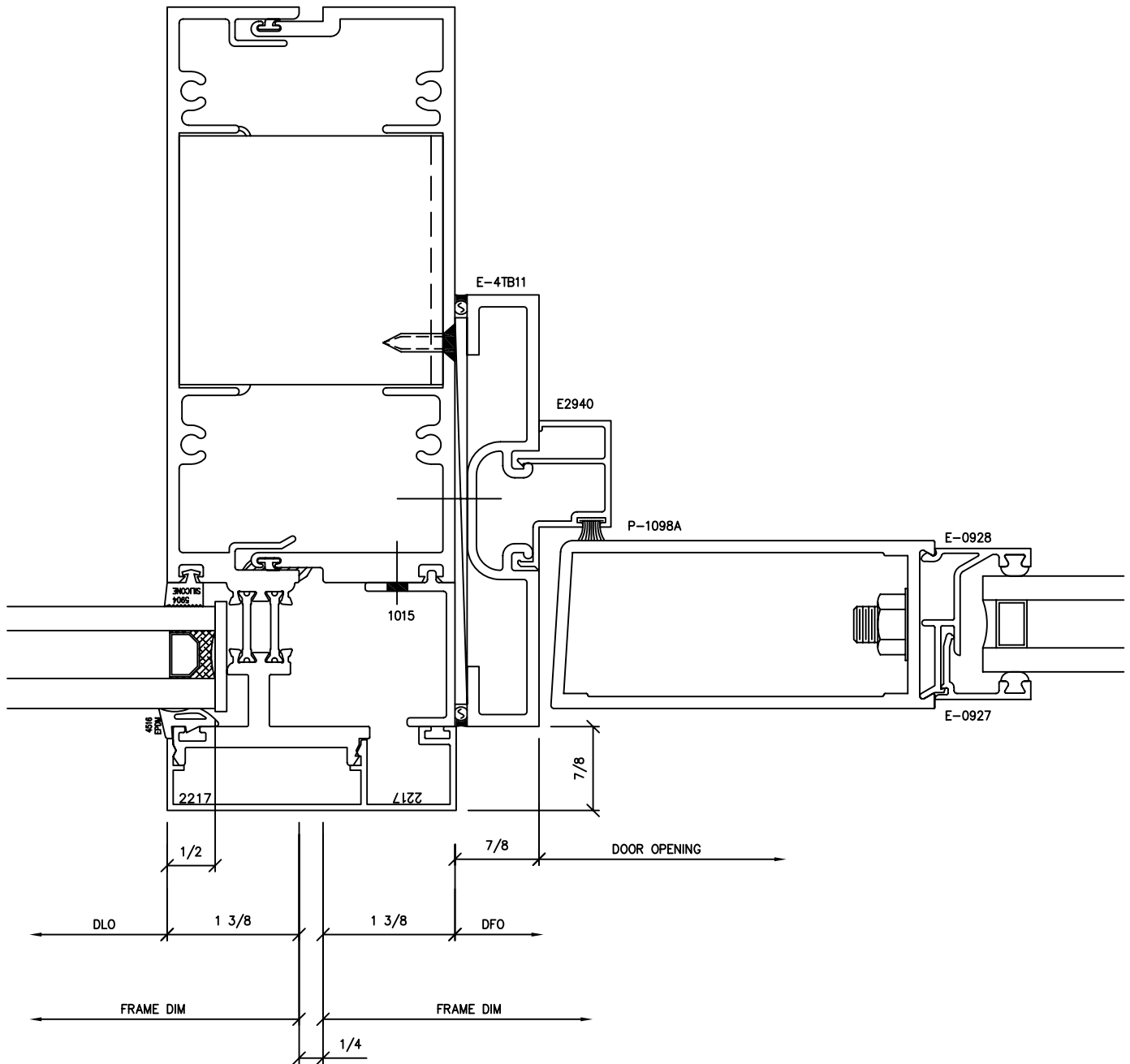


D
Jamb

FM Graham US8375S Structurally Glazed Unitized Wall

Go to: Elevation View

Standard Details, No Scale

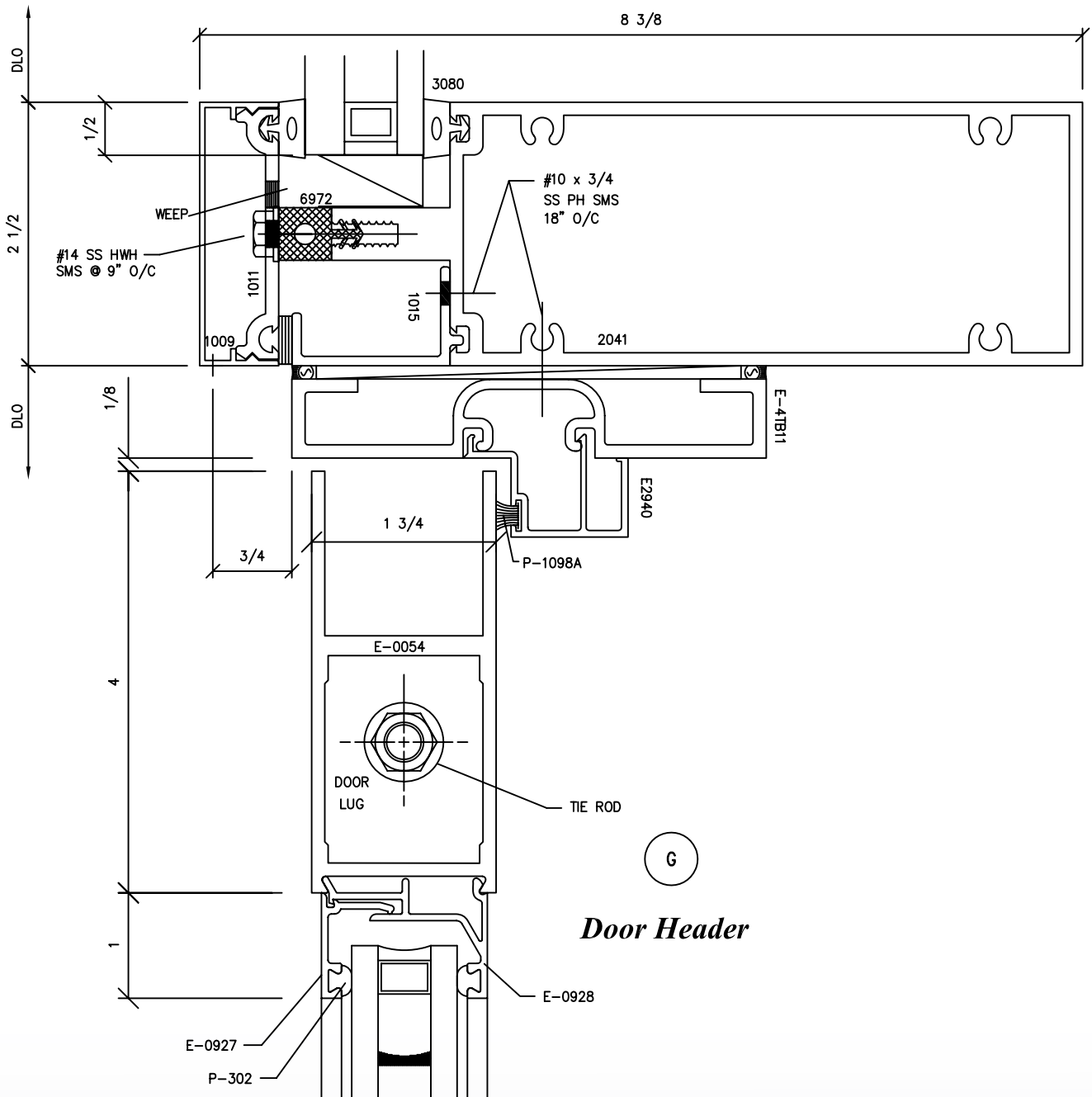


(F)
Door Jamb

FM Graham US8375S Structurally Glazed Unitized Wall

Go to: Elevation View

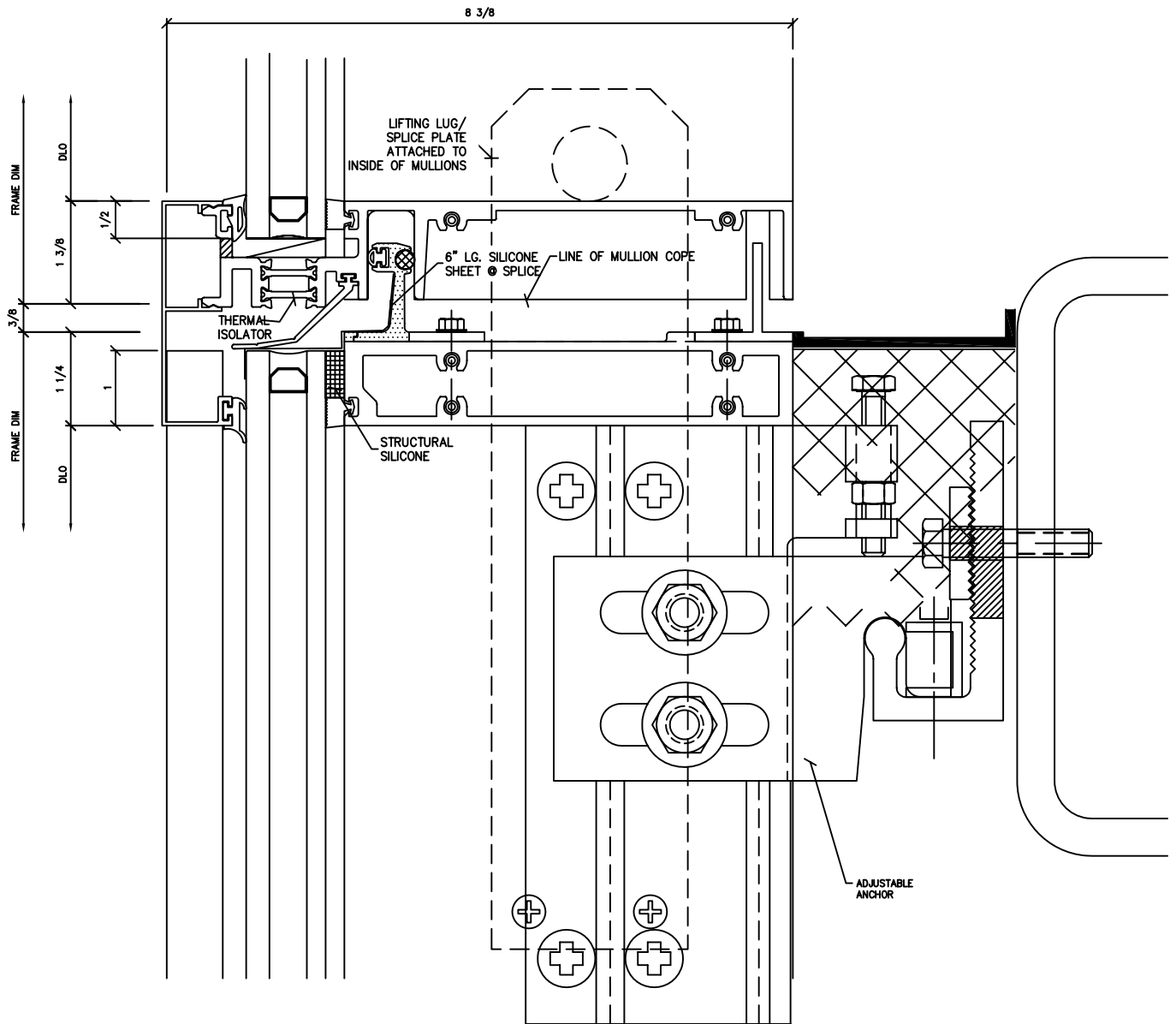
Standard Details, No Scale



FM Graham US8375S Structurally Glazed Unitized Wall

Go to: Elevation View

Standard Details, No Scale



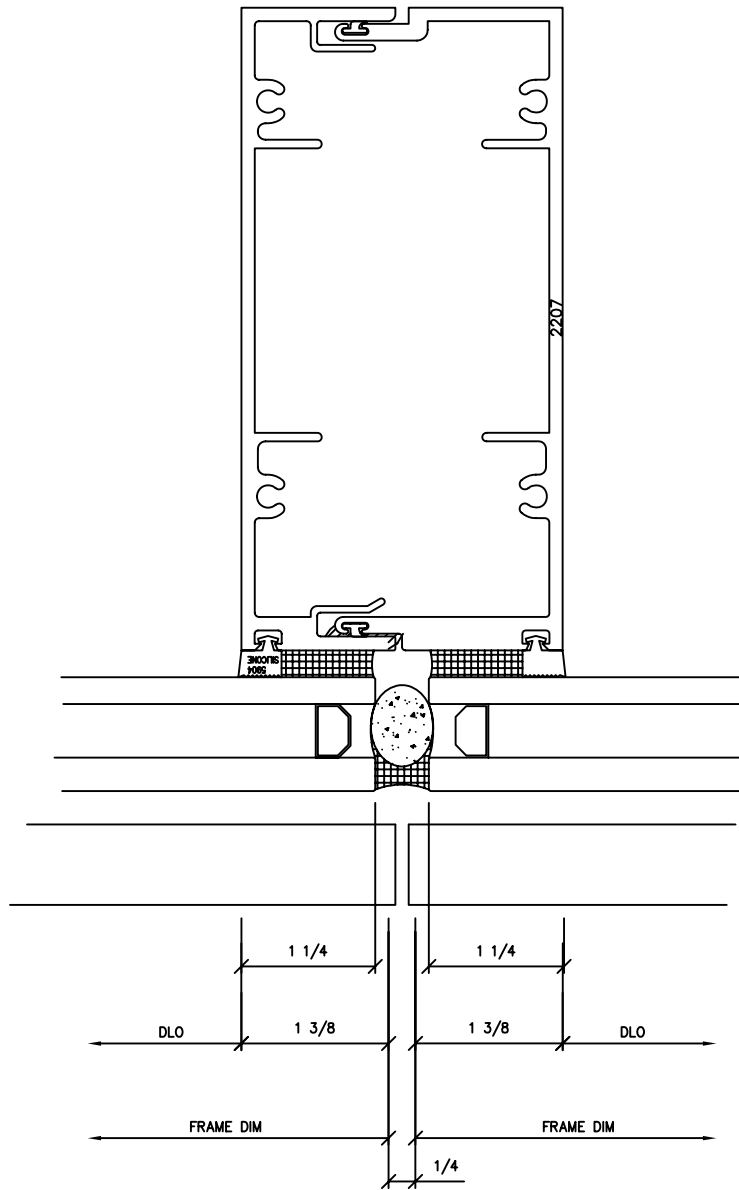
(K)
Horizontal @ Floor



FM Graham US8375S Structurally Glazed Unitized Wall

Go to: Elevation View

Standard Details, No Scale



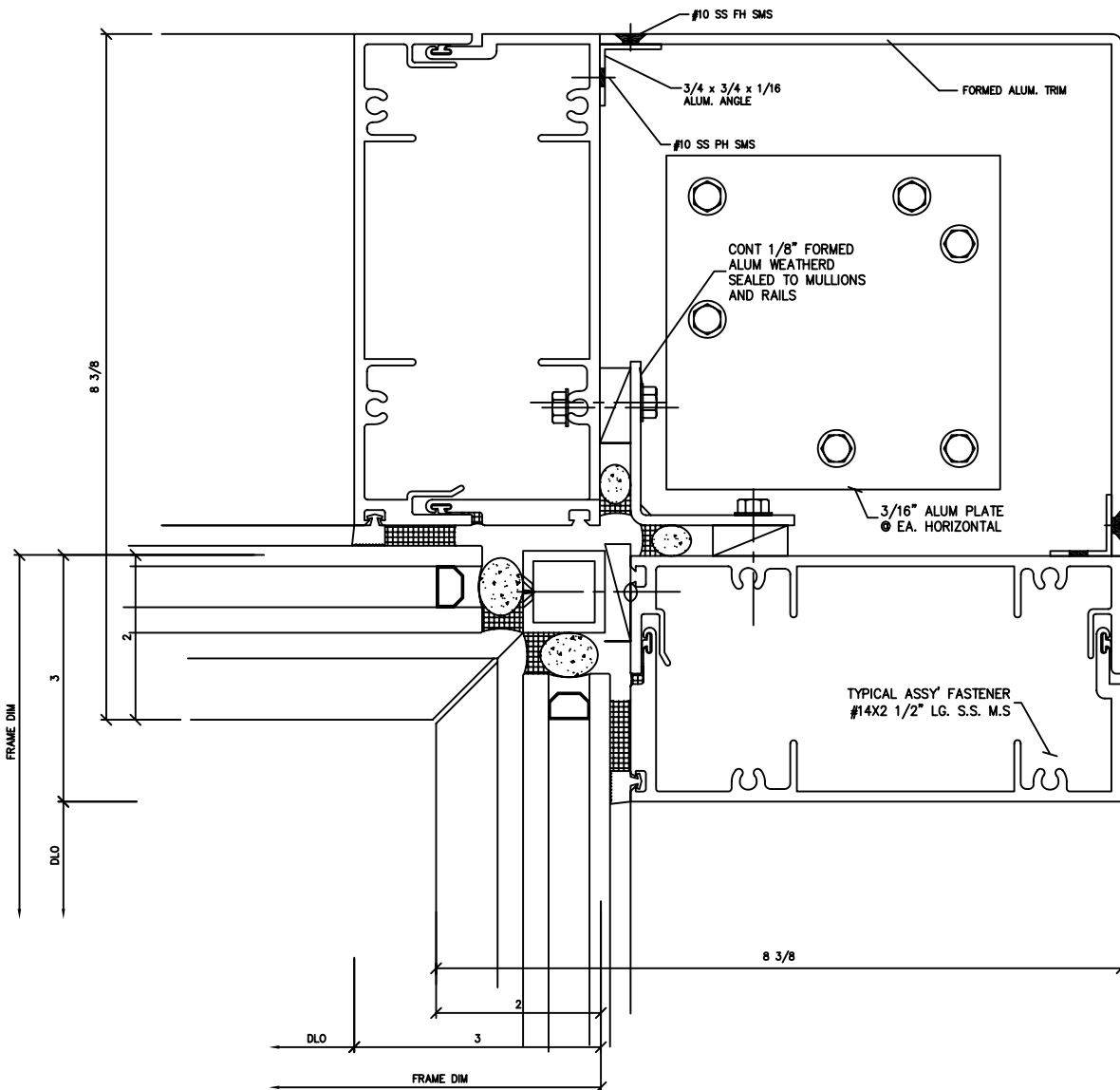
M

Structurally Glazed Vertical Stack

FM Graham US8375S Structurally Glazed Unitized Wall

Go to: Elevation View

Standard Details, No Scale



Structurally Glazed Inside Corner

