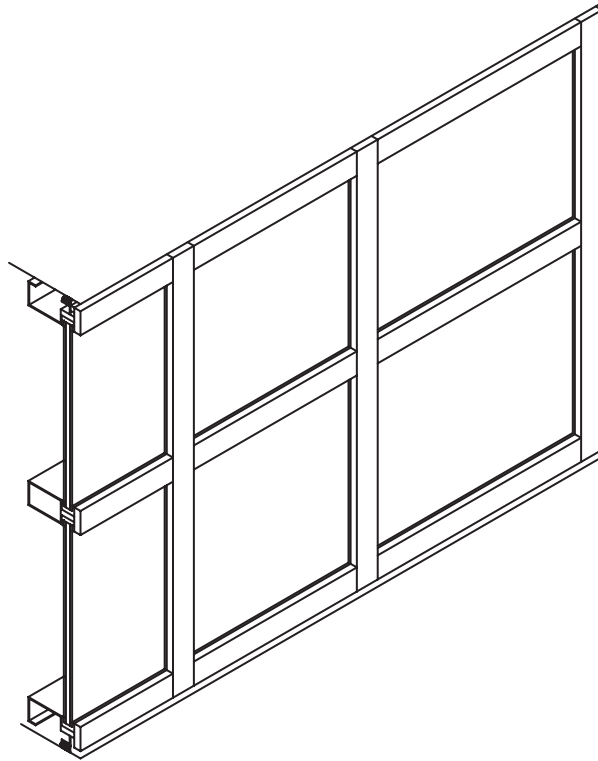




FM Graham 3010C Series Curtainwall

Go to Elevation View

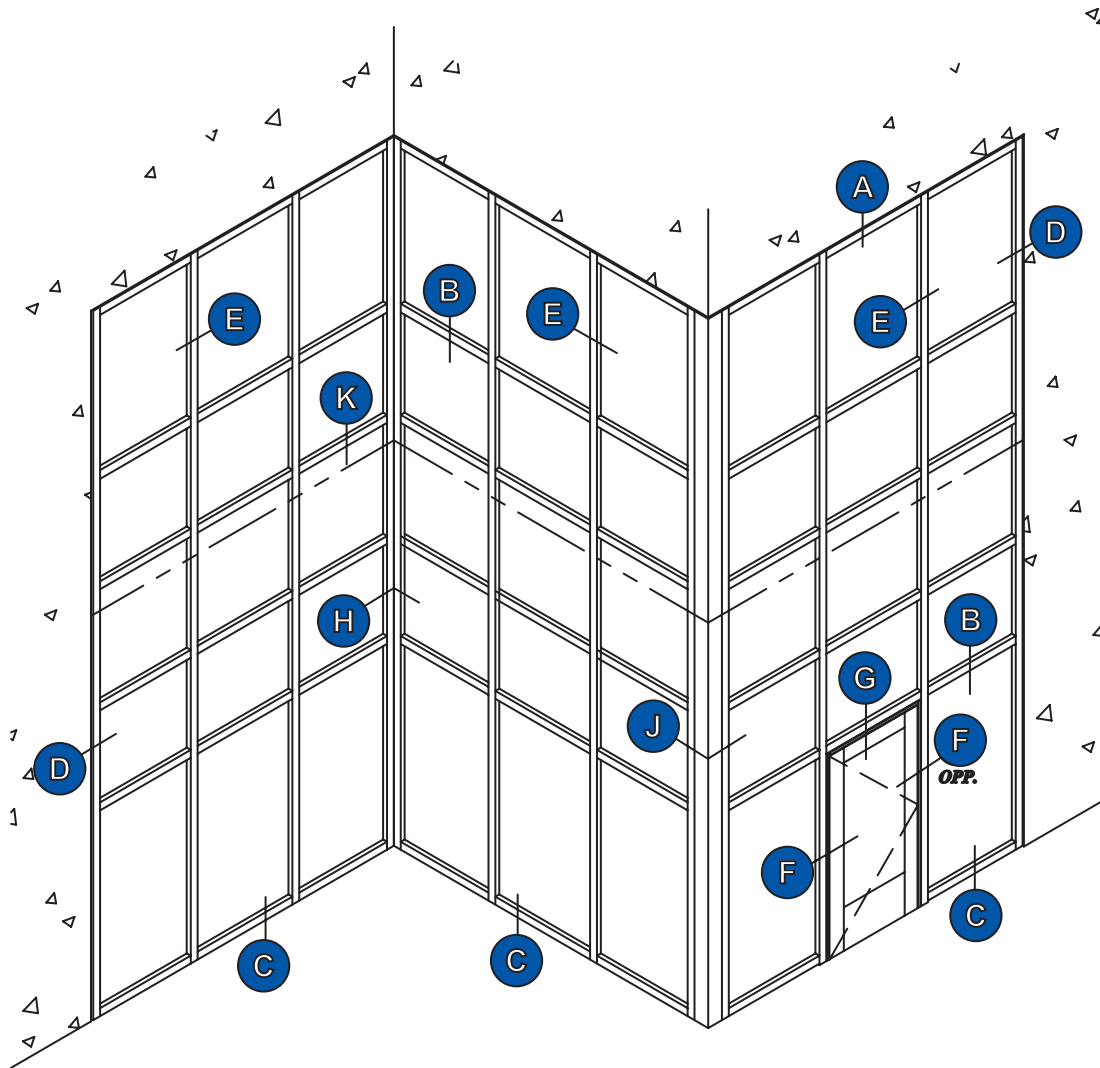


F–M 3010C series curtainwall is an outside glazed captured system designed for low to medium rise structures. It has a face width of 3” and a depth of 10 1/4”. It incorporates a split male–female vertical mullion which allows factory assembly and sealing of the frame.

The 3010C series incorporates 1/4” glazing gaskets and a 3/8” thick thermal isolator. It can accommodate infill material from 1/4” up to 1 1/8” thick. Infill material is secured in with a screw applied pressure plate. A snap–on cover conceals the pressure plate screws and allows the use of different finishes on the interior and exterior exposed metal surfaces.

FM Graham 3010C Series Curtainwall

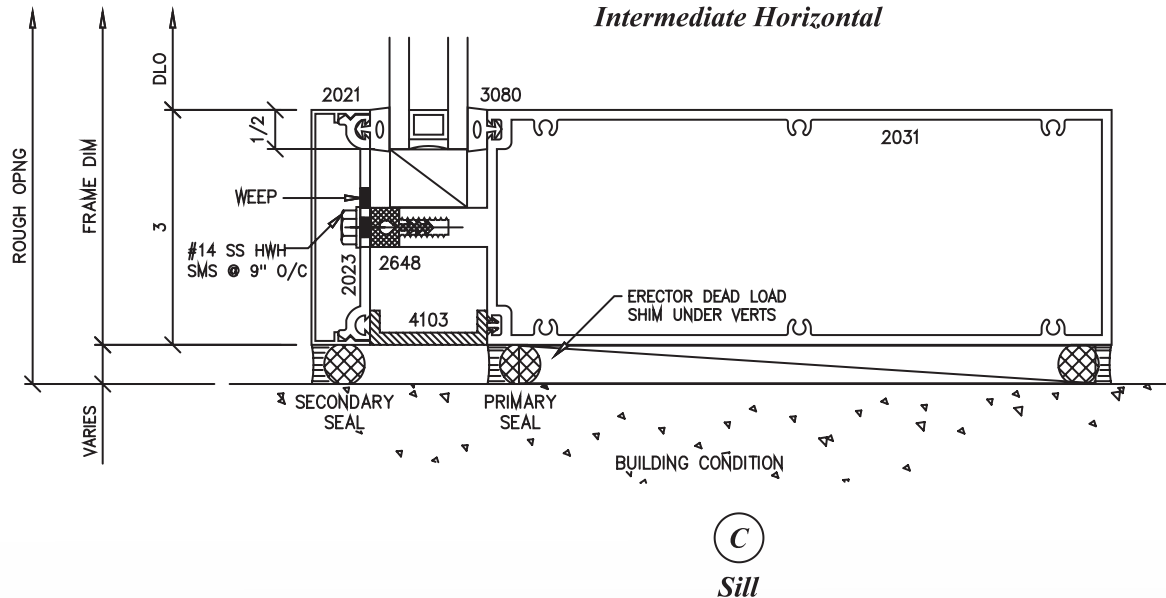
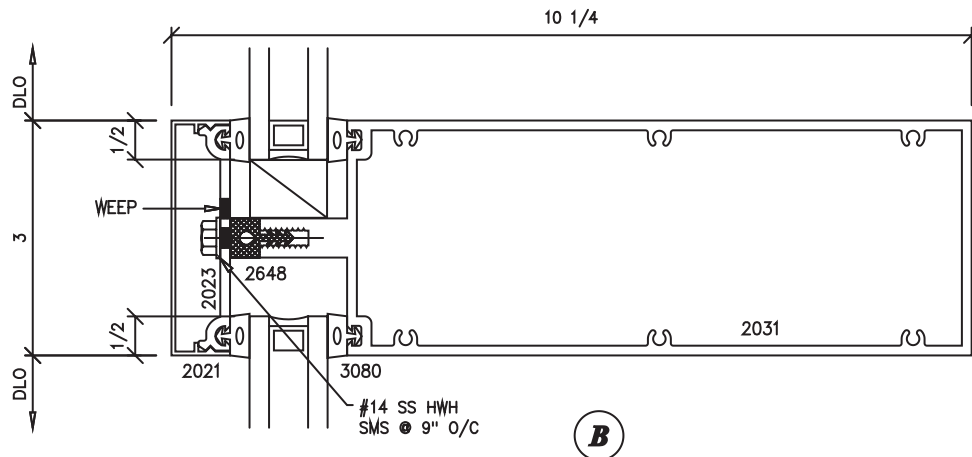
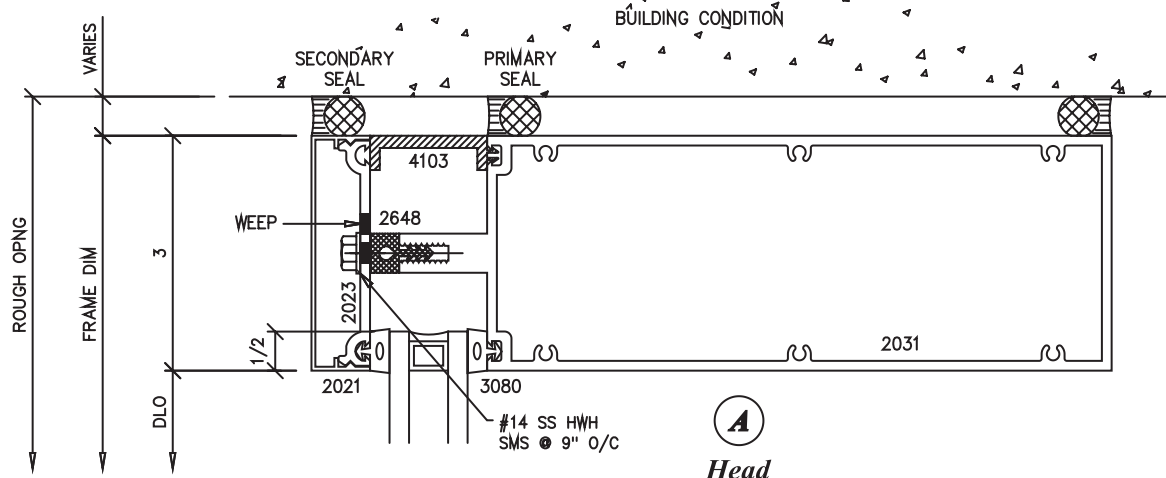
(Click on the letters for more details)



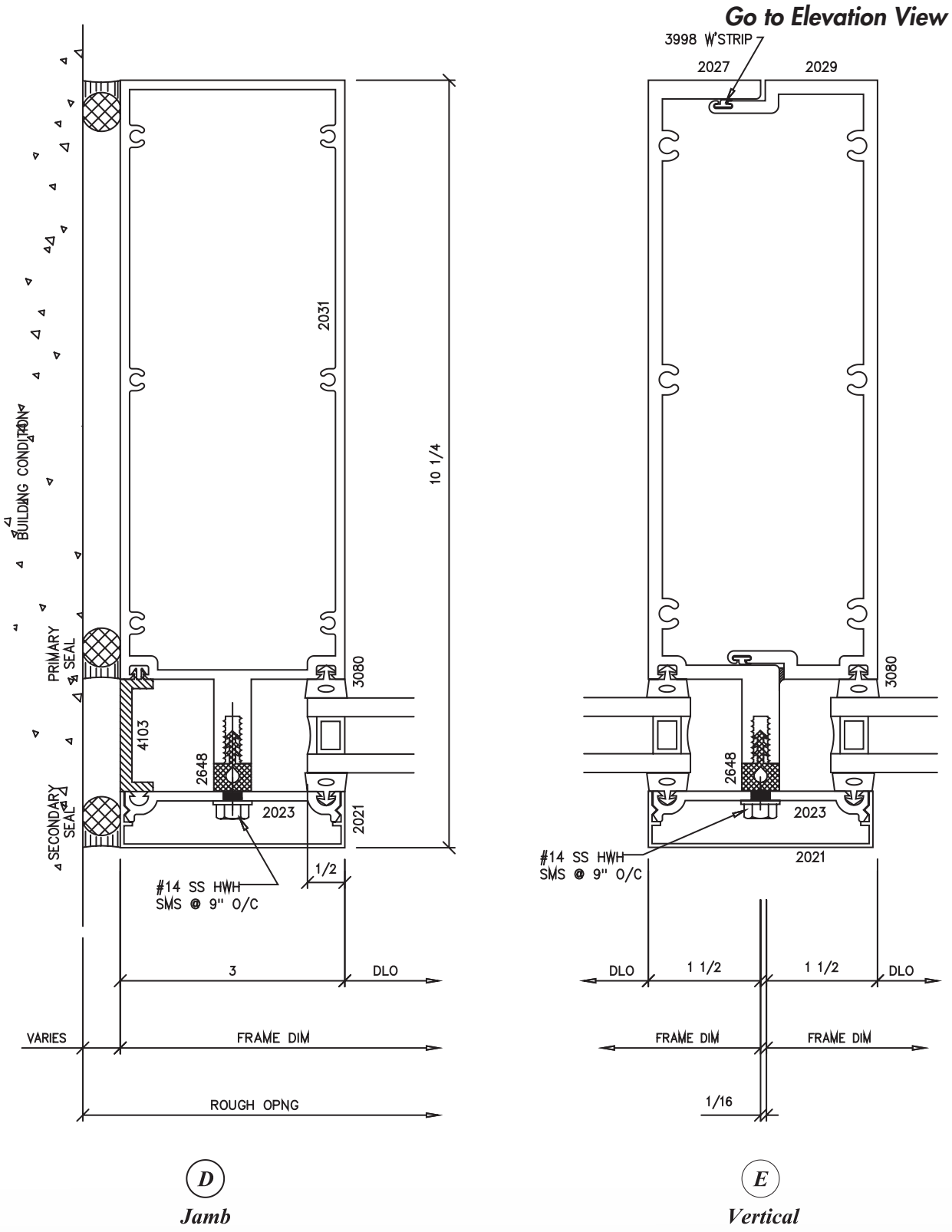
Elevation of Typical Captured Wall

FM Graham 3010C Series Curtainwall

Go to Elevation View

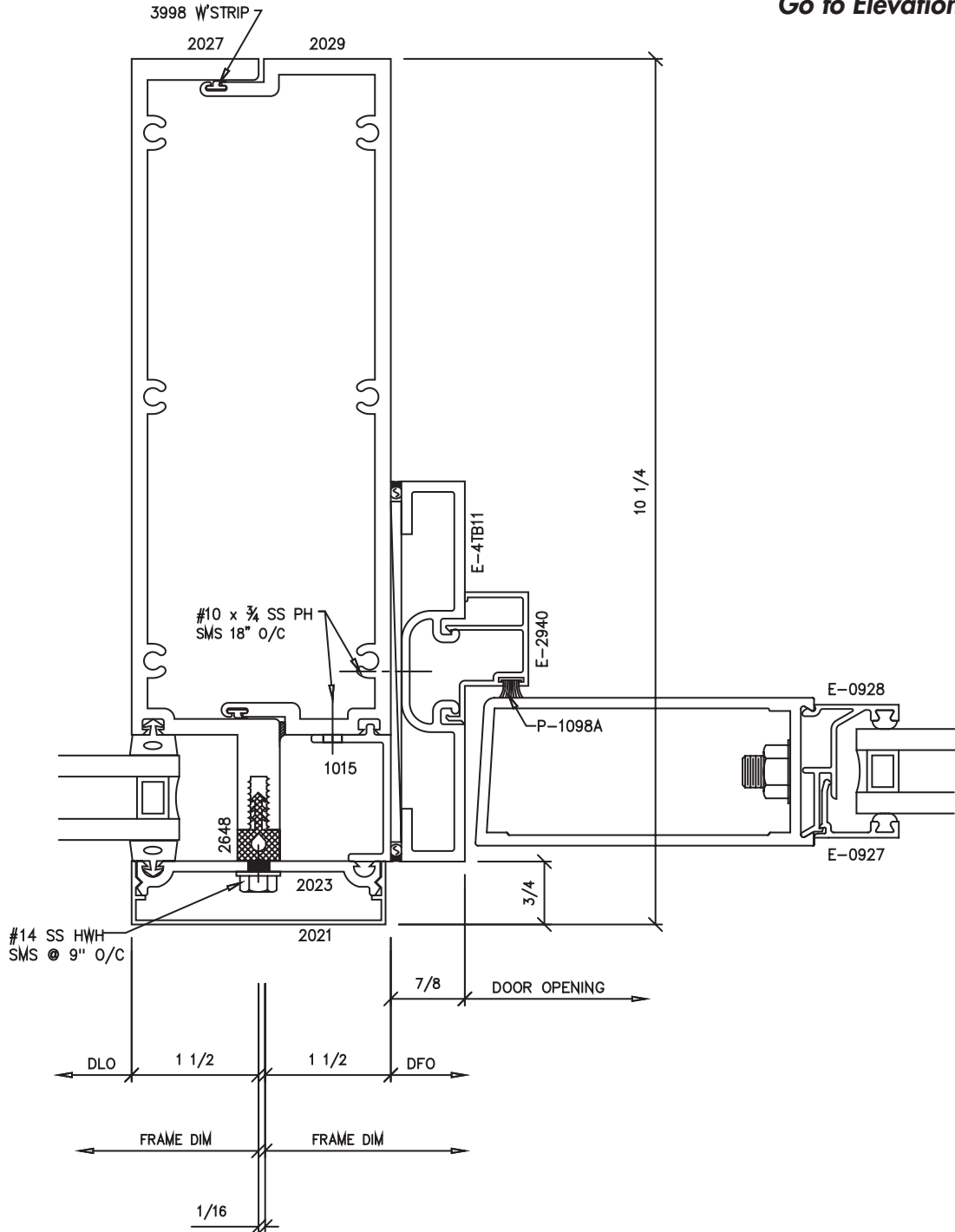


FM Graham 3010C Series Curtainwall



FM Graham 3010C Series Curtainwall

Go to Elevation View

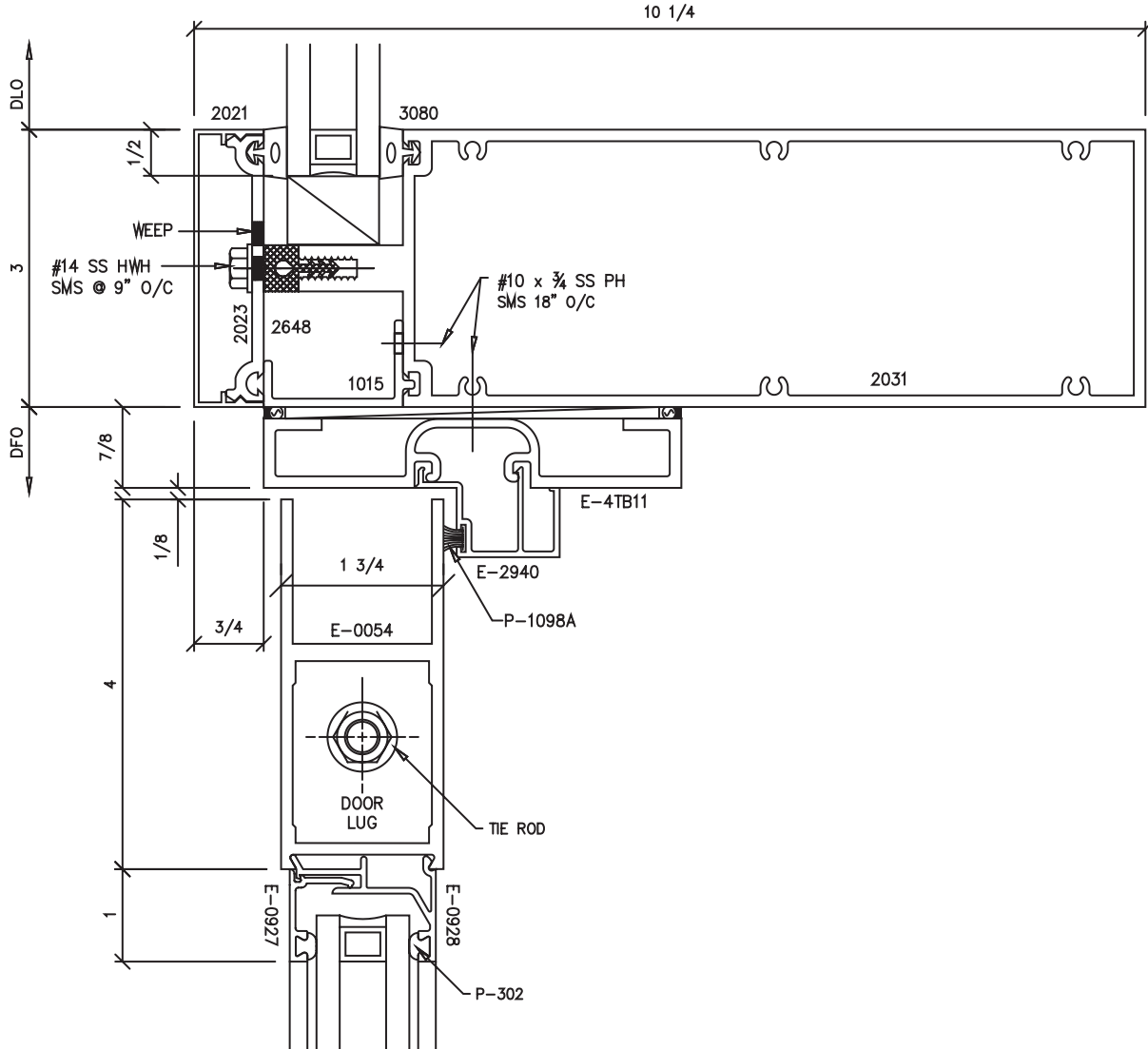


F

Door Jamb

FM Graham 3010C Series Curtainwall

Go to Elevation View

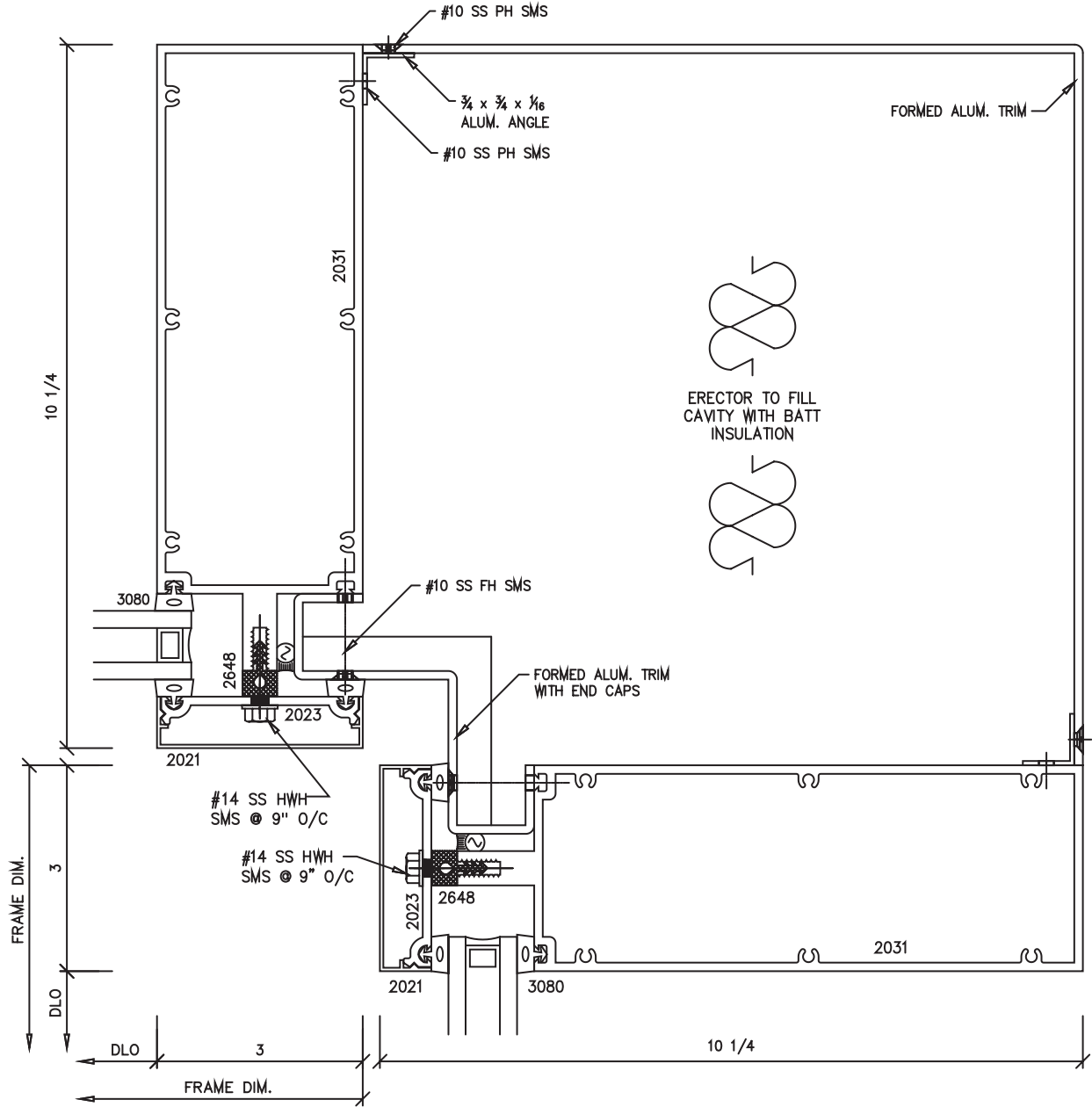


G

Door Header

FM Graham 3010C Series Curtainwall

Go to Elevation View

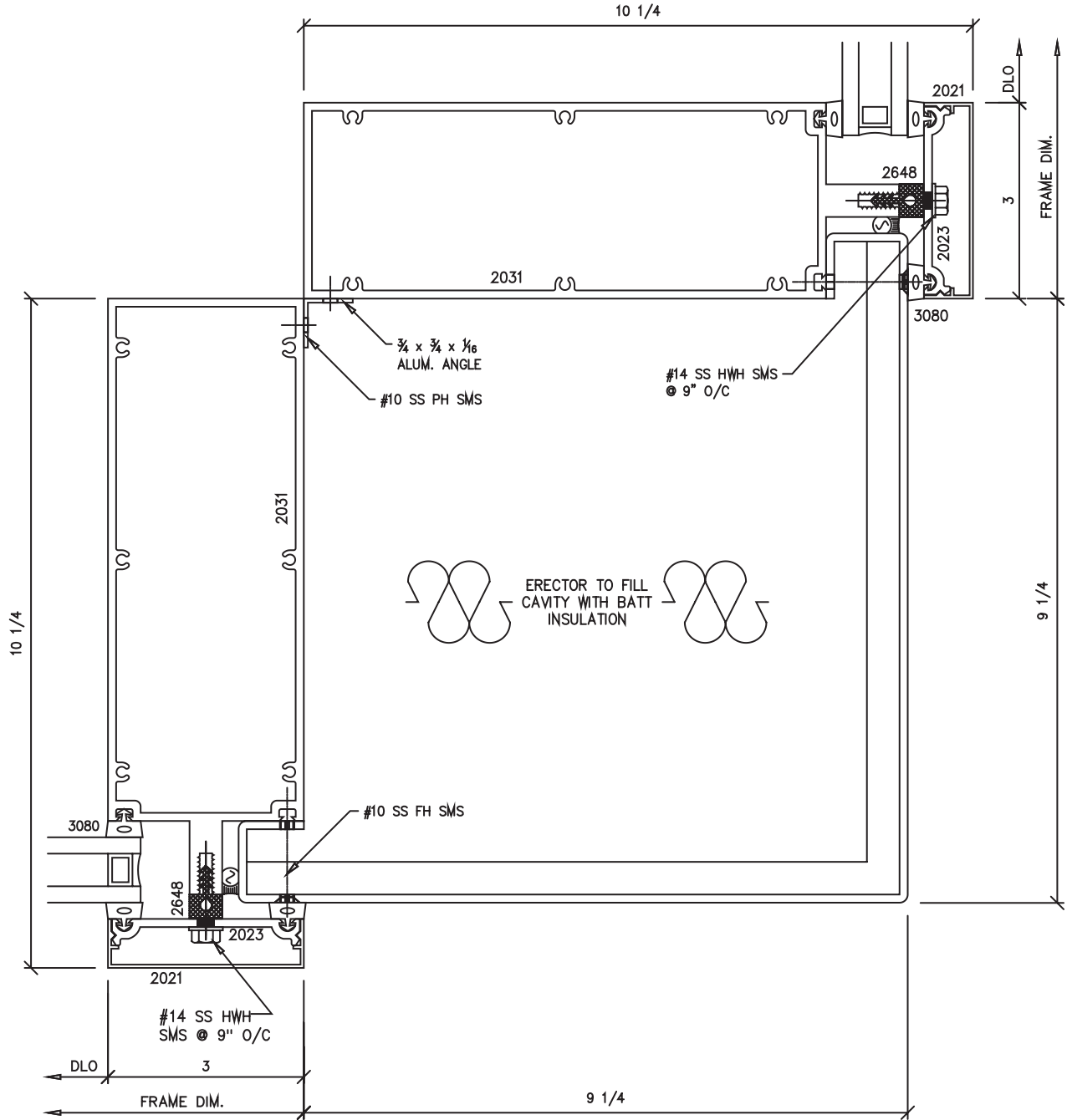


H

Inside Corner

FM Graham 3010C Series Curtainwall

Go to Elevation View

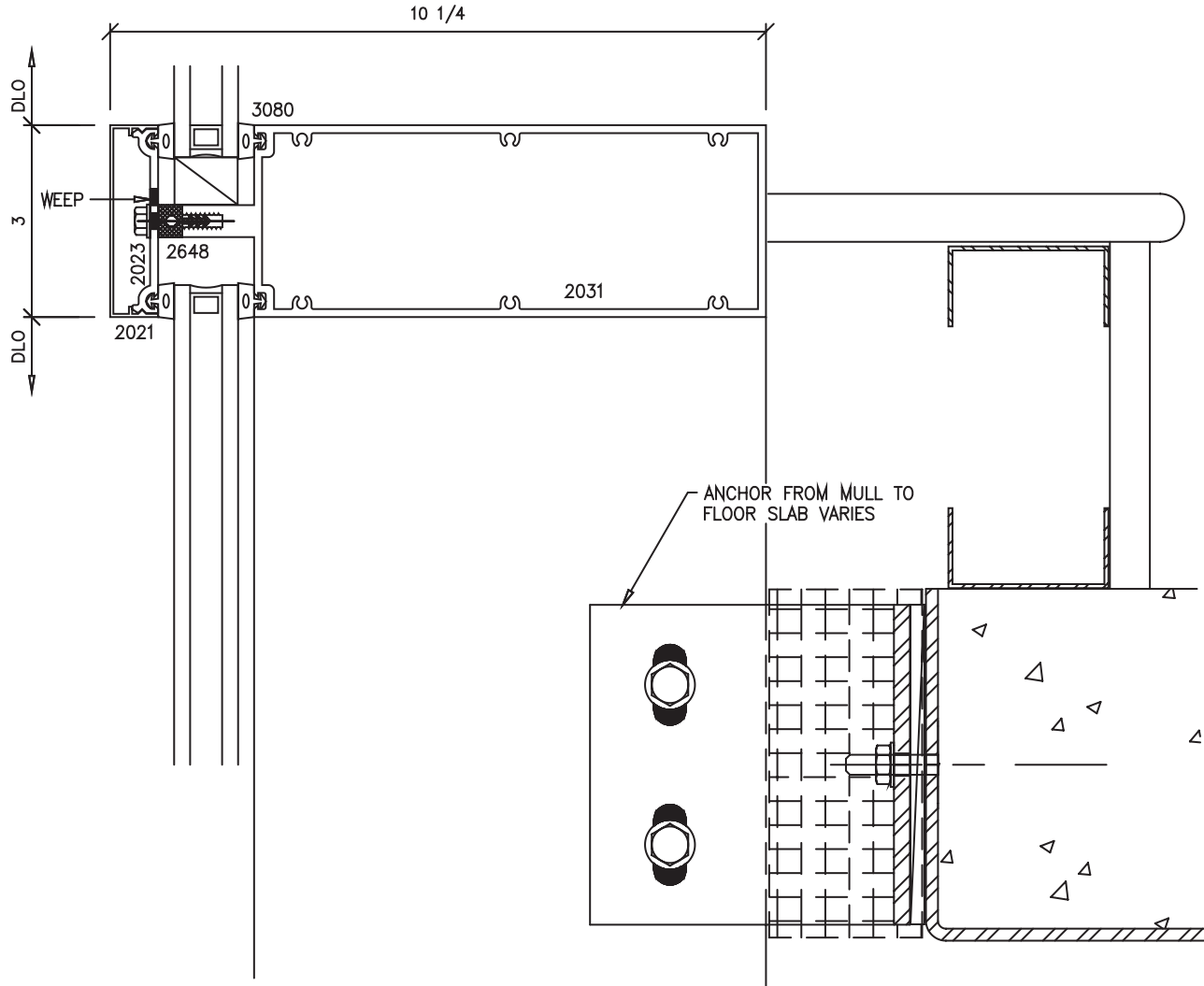


J

Outside Corner

FM Graham 3010C Series Curtainwall

Go to Elevation View



K

Horizontal @ Floor