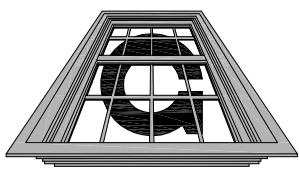


Graham



Architectural Products

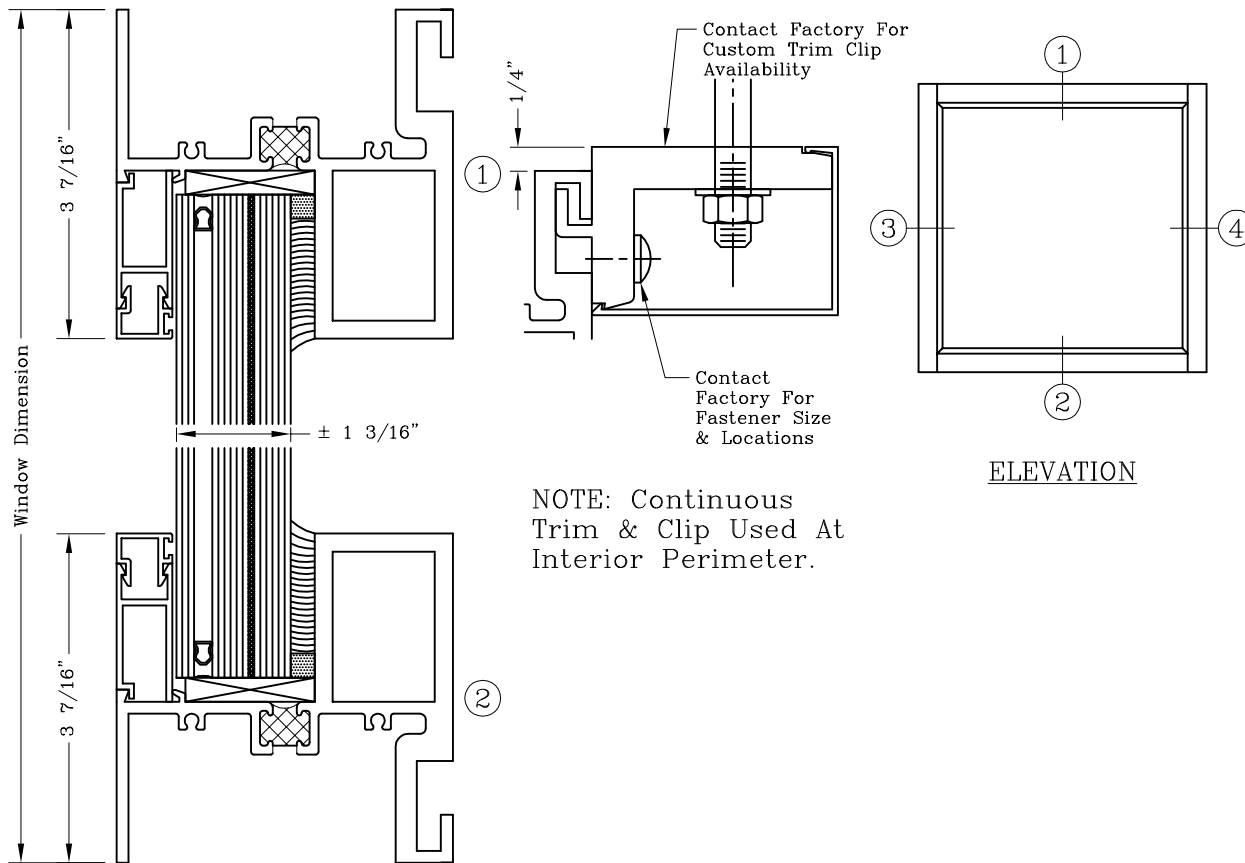
Ballistic Mitigation – 3 1/2" Fixed

Meets Or Exceeds
UFC 2007 &
GSA Level D

Tested To UL 752 Level 3 (.44 Magnum)
Series: BR6800 HP Manufacturing Code: BR6801

Drawing 1/2 Scale – For Custom Size Drawing Contact Graham

Note: Sealant Not Shown On Details. Consult Technical Services At Factory For Sealing Procedures.
For Other Blast Pressures And GSA Levels Contact Factory



NOTE: Continuous
Trim & Clip Used At
Interior Perimeter.

ELEVATION

