

Architectural Products

Blast Mitigation – 3 1/4” Tilt/Turn

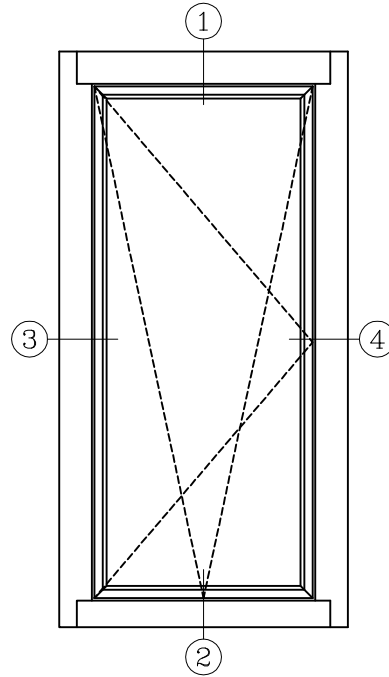
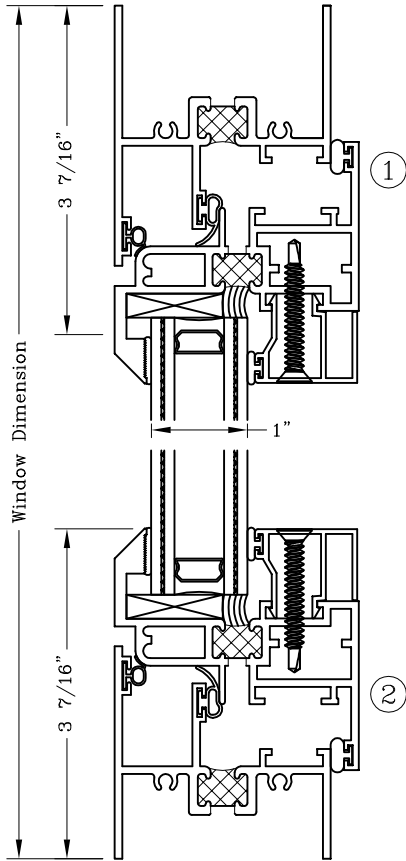
Tested 6.2 PSI @ 43 PSI MSEC
Series: B7500

Meets Or
Exceeds
UFC 2007 &
GSA Level C

Manufacturing Code: B7501

Drawing 1/2 Scale – For Custom Size Drawing Contact Graham

Note: Sealant Not Shown On Details. Consult Technical Services At Factory For Sealing Procedures.
For Other Blast Pressures And GSA Levels Contact Factory



ELEVATION

