

Meets Or  
Exceeds  
UFC 2007 &  
GSA Level C

Graham



Architectural Products

# Blast Mitigation – 2 1/4” Casement Outswing

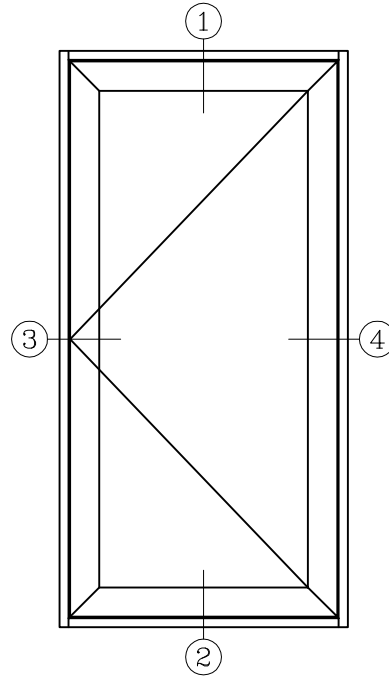
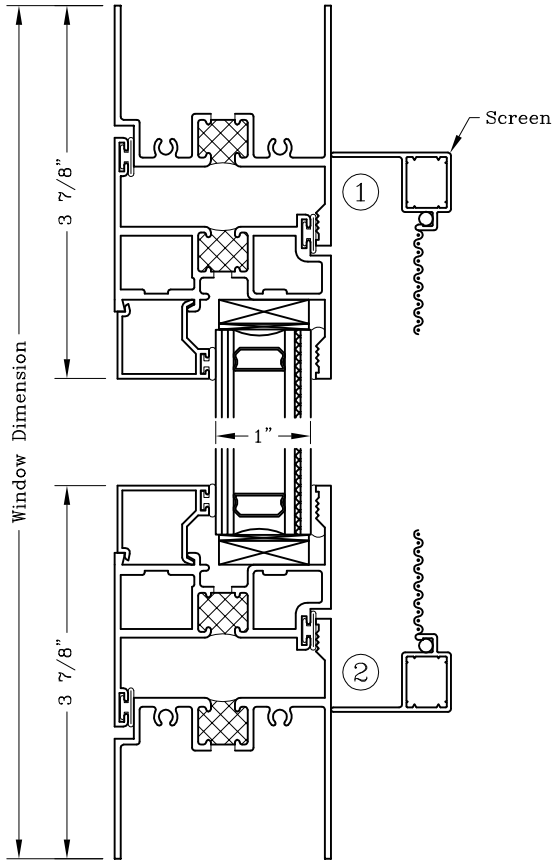
Tested 6.5 PSI @ 48 PSI MSEC

Series: B6600

Manufacturing Code: B6603

Drawing 1/2 Scale – For Custom Size Drawing Contact Graham

Note: Sealant Not Shown On Details. Consult Technical Services At Factory For Sealing Procedures.  
For Other Blast Pressures And GSA Levels Contact Factory



ELEVATION

