

Graham

Architectural Products

# Blast Mitigation – 2 1/4”

Fixed

Tested 6.1 PSI @ 46 PSI MSEC

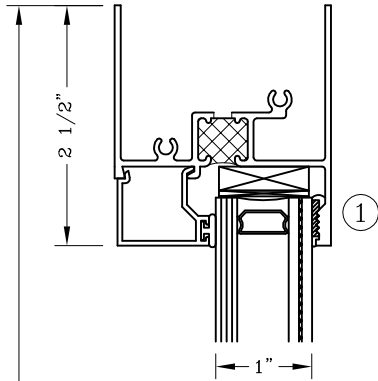
Series: B6600

Manufacturing Code: B6602

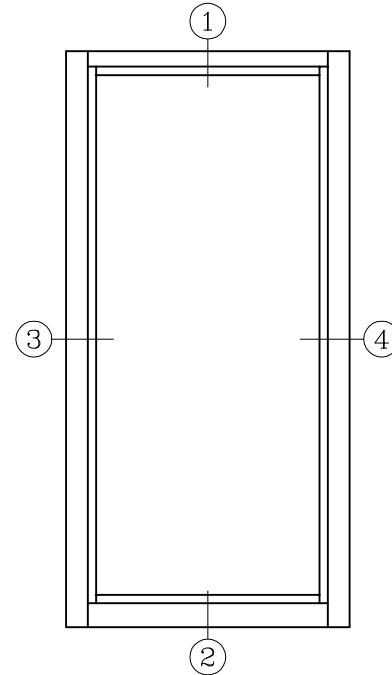
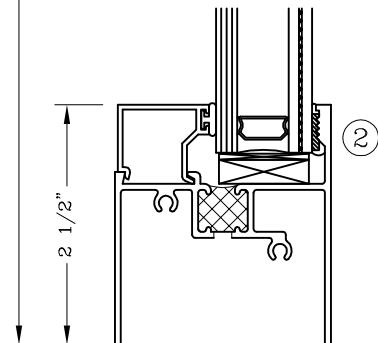
Meets Or Exceeds  
UFC 2007 &  
GSA Level C

Drawing 1/2 Scale – For Custom Size Drawing Contact Graham

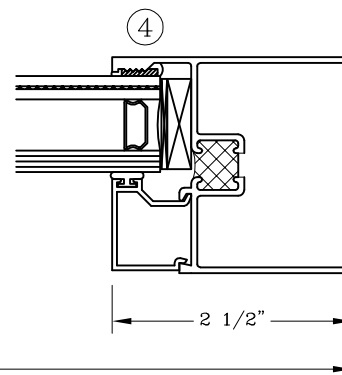
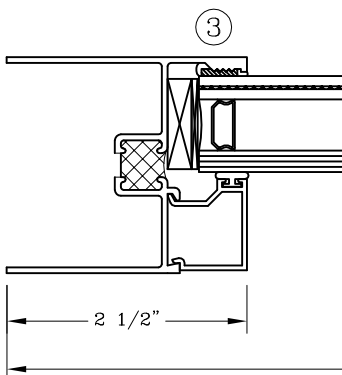
Note: Sealant Not Shown On Details. Consult Technical Services At Factory For Sealing Procedures.  
For Other Blast Pressures And GSA Levels Contact Factory



Window Dimension



ELEVATION



Window Dimension