

Meets Or
Exceeds
UFC 2007 &
GSA Level C

Graham



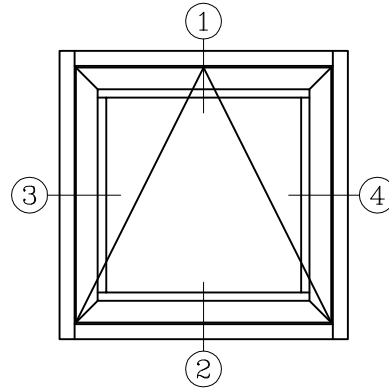
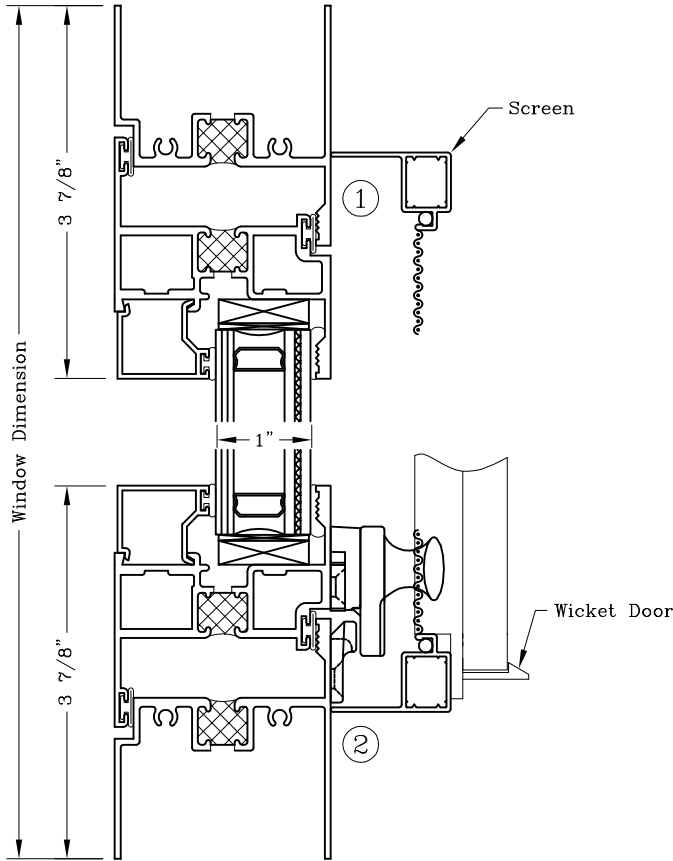
Architectural Products

Blast Mitigation – 2 1/4” Projected Outswing Tested 6.5 PSI @ 48 PSI MSEC Series: B6600

Manufacturing Code: B6601

Drawing 1/2 Scale – For Custom Size Drawing Contact Graham

Note: Sealant Not Shown On Details. Consult Technical Services At Factory For Sealing Procedures.
For Other Blast Pressures And GSA Levels Contact Factory



ELEVATION

