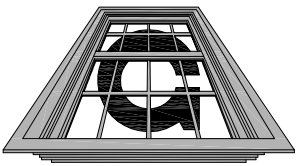


Meets Or
Exceeds
UFC 2007 &
GSA Level C

Graham



Architectural Products

Blast Mitigation - 4"

Horizontal Slider

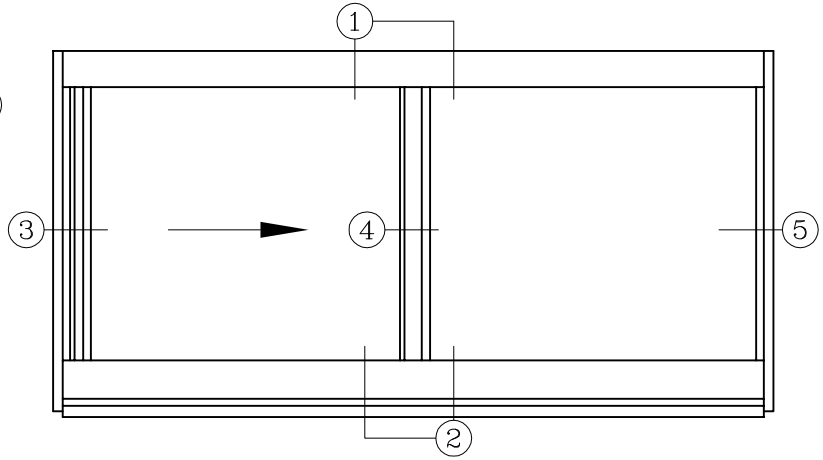
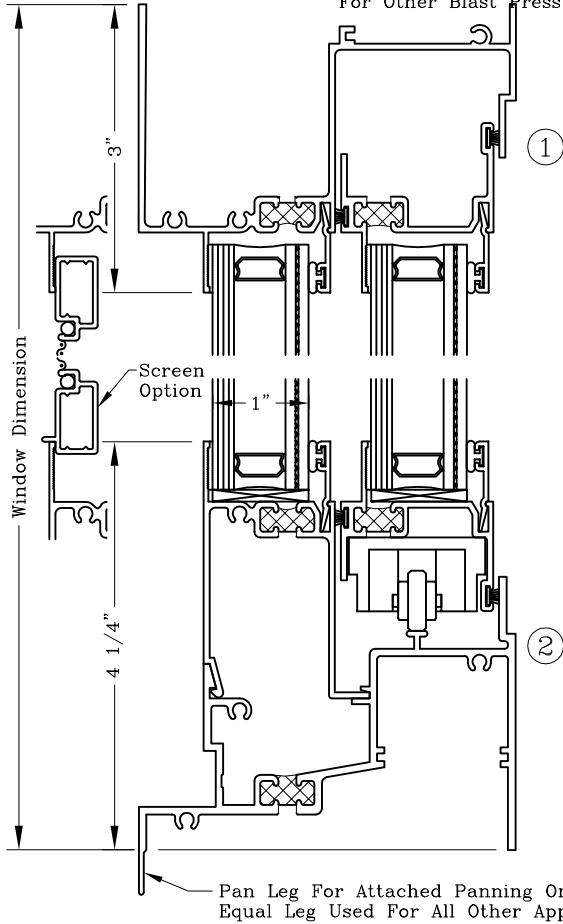
Tested 4.2 PSI @ 32 PSI MSEC

Series: B0600

Manufacturing Code: B0601

Drawing 1/2 Scale - For Custom Size Drawing Contact Graham

Note: Sealant Not Shown On Details. Consult Technical Services At Factory For Sealing Procedures.
For Other Blast Pressures And GSA Levels Contact Factory



ELEVATION
XO - Shown
OX - Opposite

