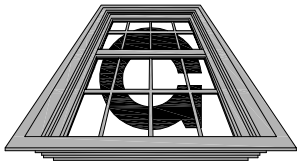


Graham

Lift-In Guardian Detail - 4 1/2"



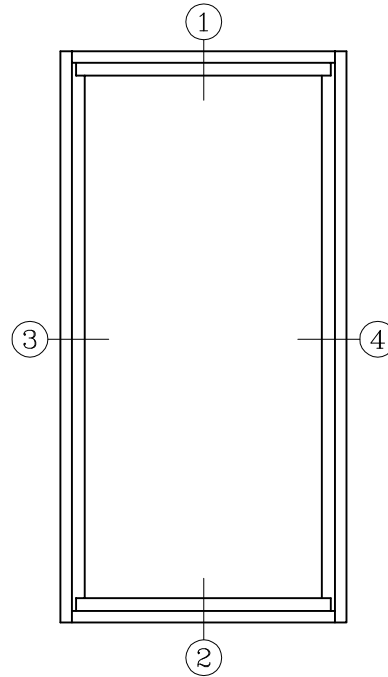
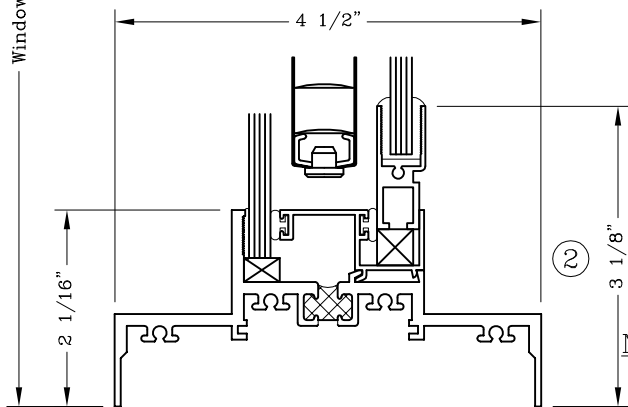
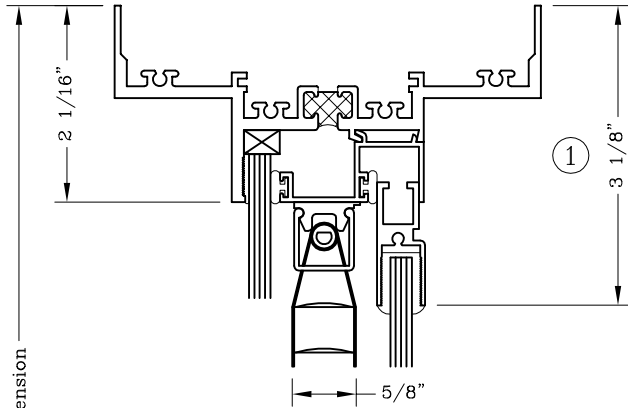
Architectural Products

Series: 6900

Manufacturing Code: 6921

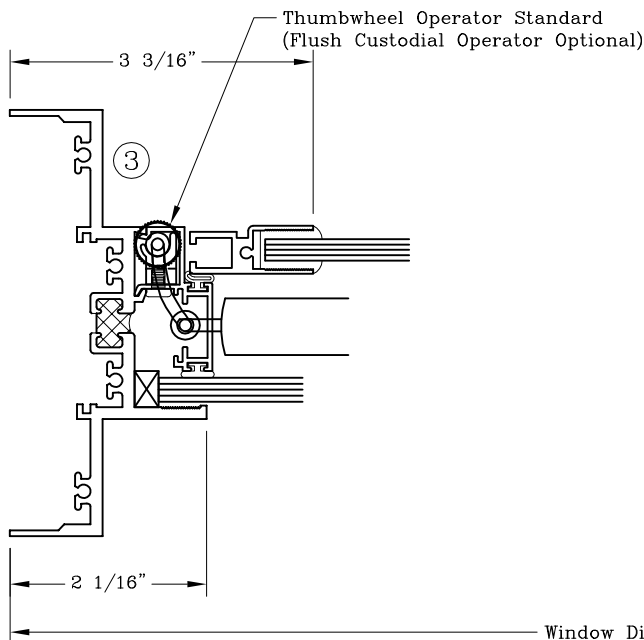
Drawing 1/2 Scale - For Custom Size Drawing Contact Graham

Note: Sealant Not Shown On Details. Consult Technical Services At Factory For Sealing Procedures.



ELEVATION

NOTE: Glazing Option Shown On Fixed Window
Glazing Detail Is Similar For Operable Sash



Optional 5/8" Blind Shown

