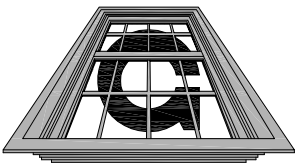


Graham

Glazing Options - 4 1/2"



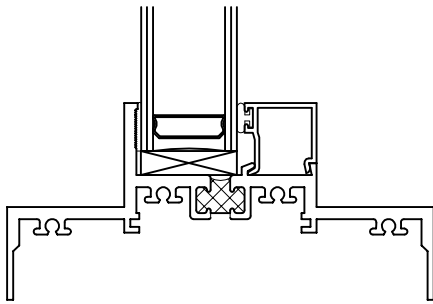
Architectural Products

Series: 6900

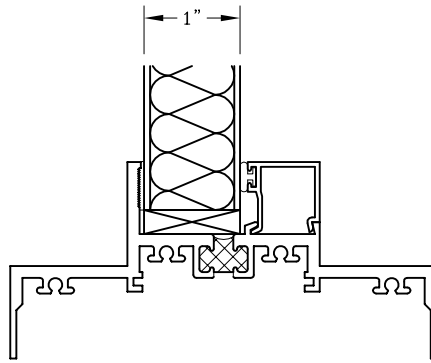
Manufacturing Code: 6920

Drawing 1/2 Scale - For Custom Size Drawing Contact Graham

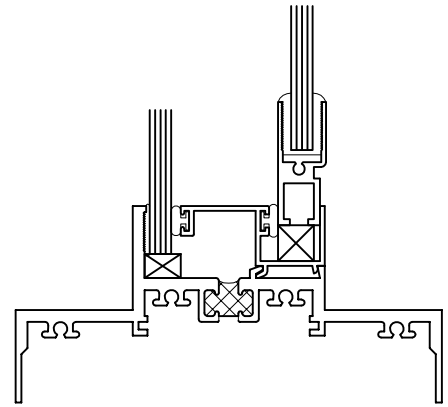
Note: Sealant Not Shown On Details. Consult Technical Services At Factory For Sealing Procedures.



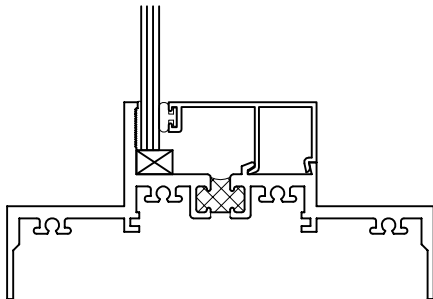
1" IG
Glazing Bead



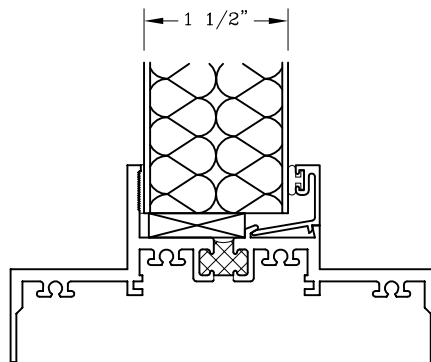
1" Panel
Glazing Bead



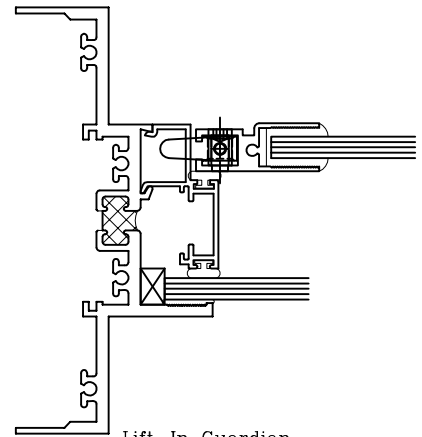
Lift-In Guardian
Horizontal Glazing Bead



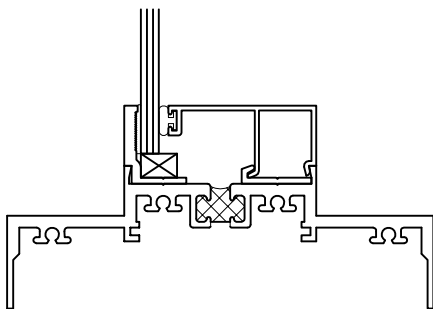
Single Glaze
Glazing Bead



1 1/2" Panel
Glazing Bead



Lift-In Guardian
Vertical Glazing Bead



Glazing Adapter
Glazing Bead
With Single Glaze (Shown), 1"
IG And Panel