

Graham



Architectural Products

Projected/Projected - 4 1/2"

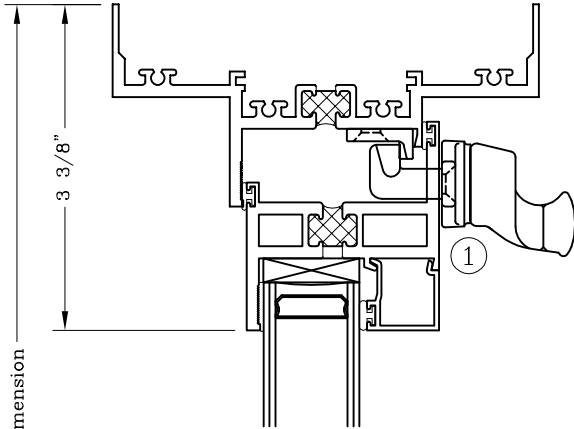
AP-HC80

Series: 6900

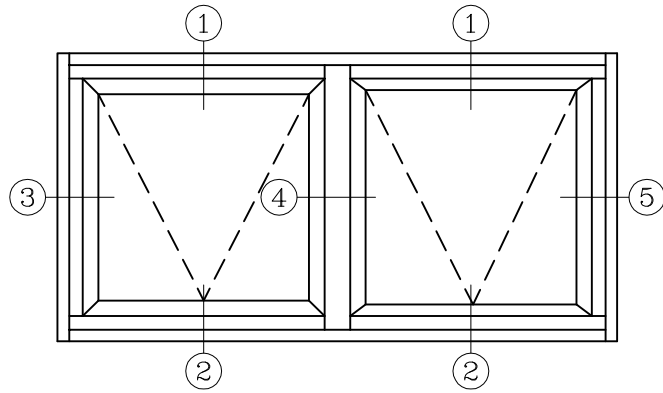
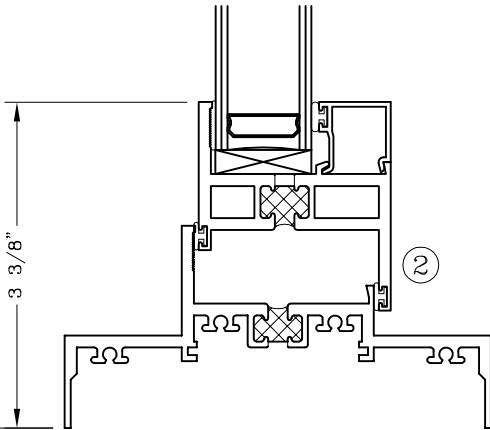
Manufacturing Code: 6902

Drawing 1/2 Scale - For Custom Size Drawing Contact Graham

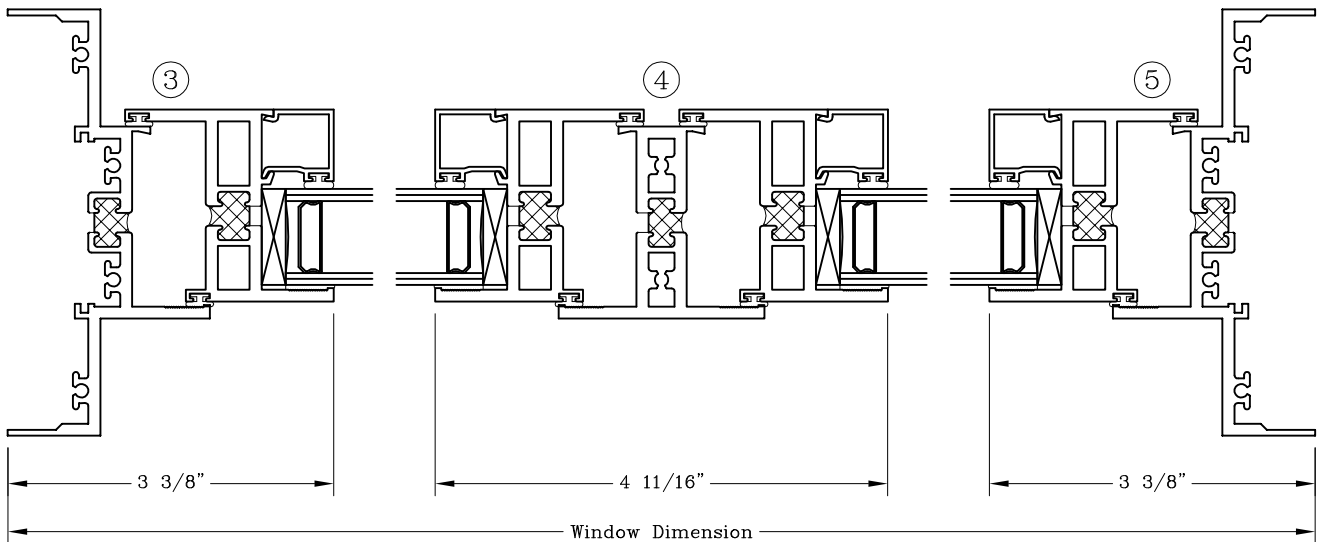
Note: Sealant Not Shown On Details. Consult Technical Services At Factory For Sealing Procedures.



Window Dimension



ELEVATION



Note: Dashed Lines Represent Inswing Vented Units Solid Lines Represent Outswing Vented Units; Lines Converge At Hinge Side Of Vent