

Graham

Pivot Guardian Detail – 3 1/2"



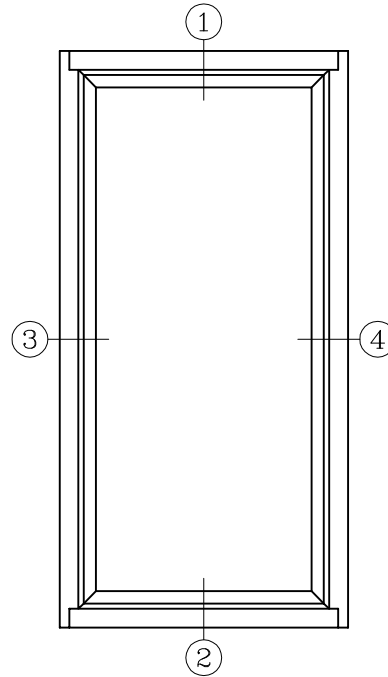
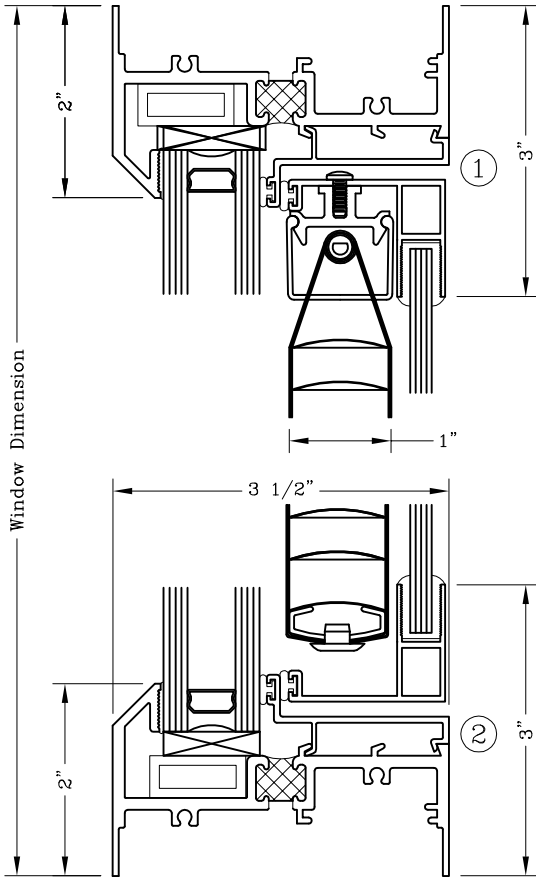
Architectural Products

Series: 6800

Manufacturing Code: 6816

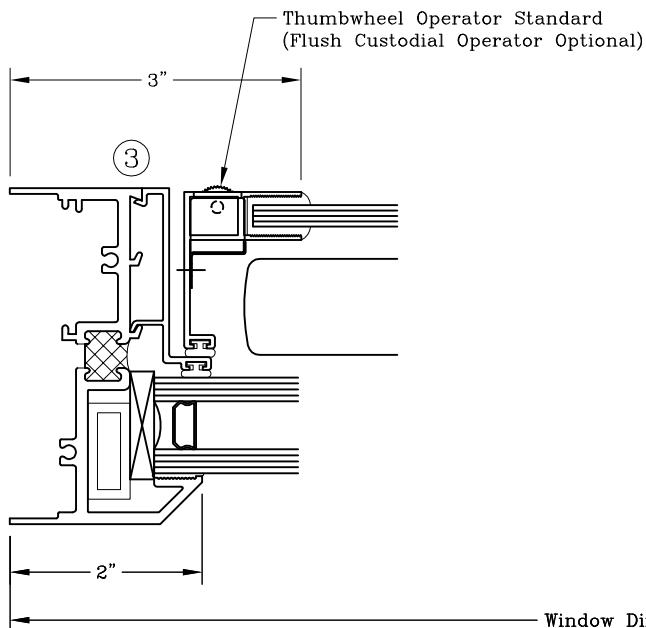
Drawing 1/2 Scale – For Custom Size Drawing Contact Graham

Note: Sealant Not Shown On Details. Consult Technical Services At Factory For Sealing Procedures.



ELEVATION

NOTE: Glazing Option Shown On Fixed Window
Glazing Detail Is Similar For Operable Sash



Optional 1" Blind Shown

