

Graham

Glazing Options - 3 1/2"

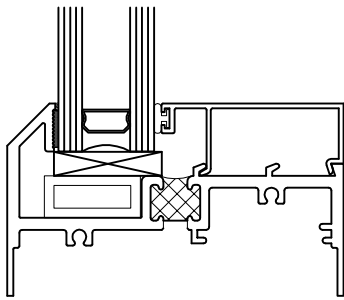


Architectural Products

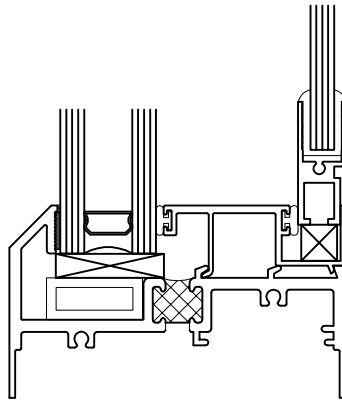
Series: 6800

Manufacturing Code: 6813

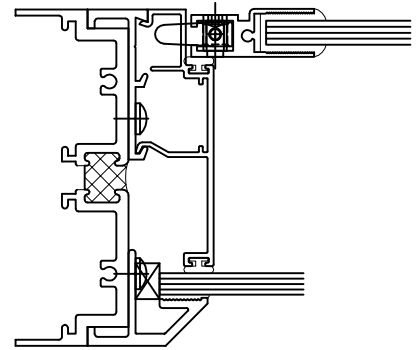
Drawing 1/2 Scale - For Custom Size Drawing Contact Graham
Note: Sealant Not Shown On Details. Consult Technical Services At Factory For Sealing Procedures.



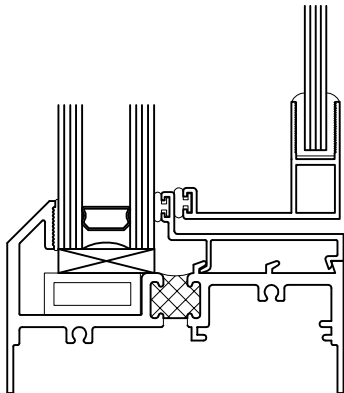
1" IG
Glazing Bead



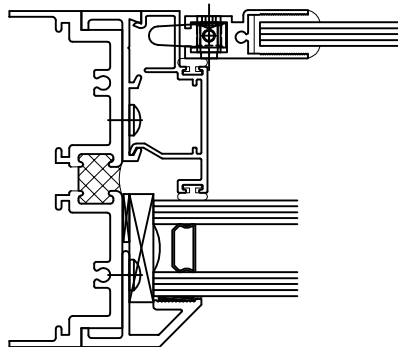
Lift-In Guardian
Horizontal Glazing Bead



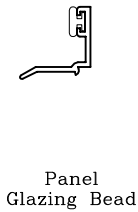
Lift-In Guardian 1/4" Glaze
Vertical Glazing Bead



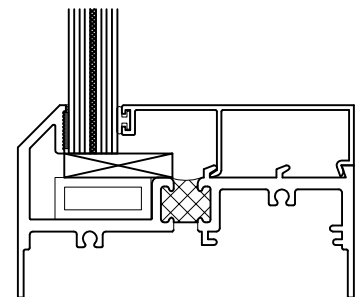
1" IG Pivot Guardian
Glazing Bead



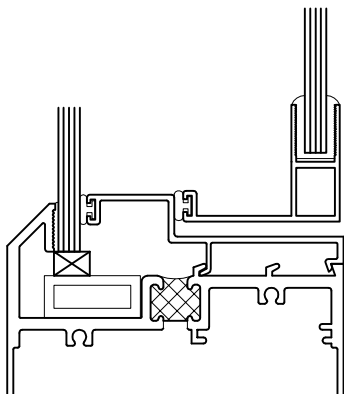
Lift-In Guardian
Vertical Glazing Bead



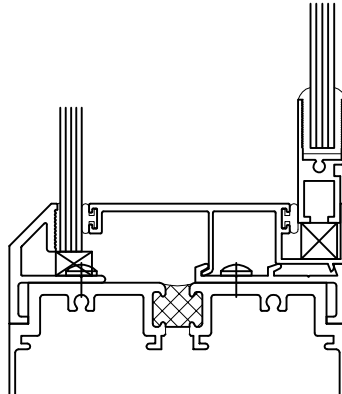
Panel
Glazing Bead



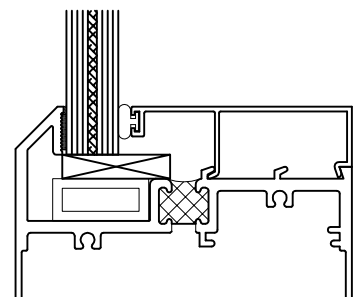
1/2" Lami Glaze
Glazing Bead



1/4" Glaze Pivot Guardian
Glazing Bead



Lift-In Guardian 1/4" Glaze
Horizontal Glazing Bead



9/16" Lami Glaze
Glazing Bead