

Graham

Fixed - 3 1/2" F-AW80



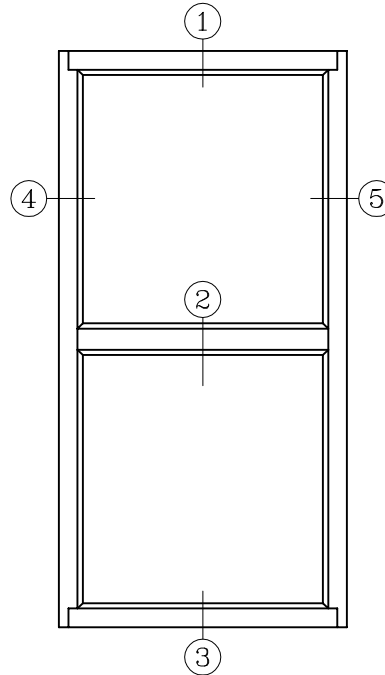
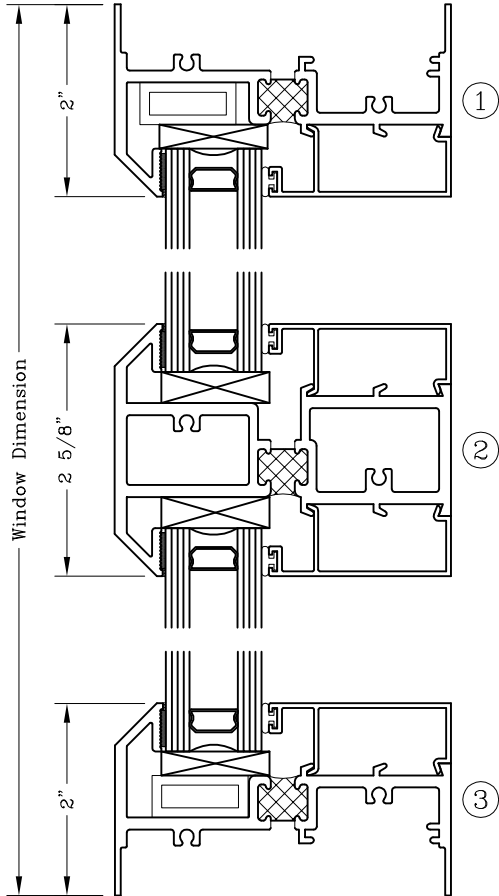
Architectural Products

Series: 6800

Manufacturing Code: 6811

Drawing 1/2 Scale - For Custom Size Drawing Contact Graham

Note: Sealant Not Shown On Details. Consult Technical Services At Factory For Sealing Procedures.



ELEVATION

