

Graham



Projected/Projected - 3 1/2"

AP-AW130

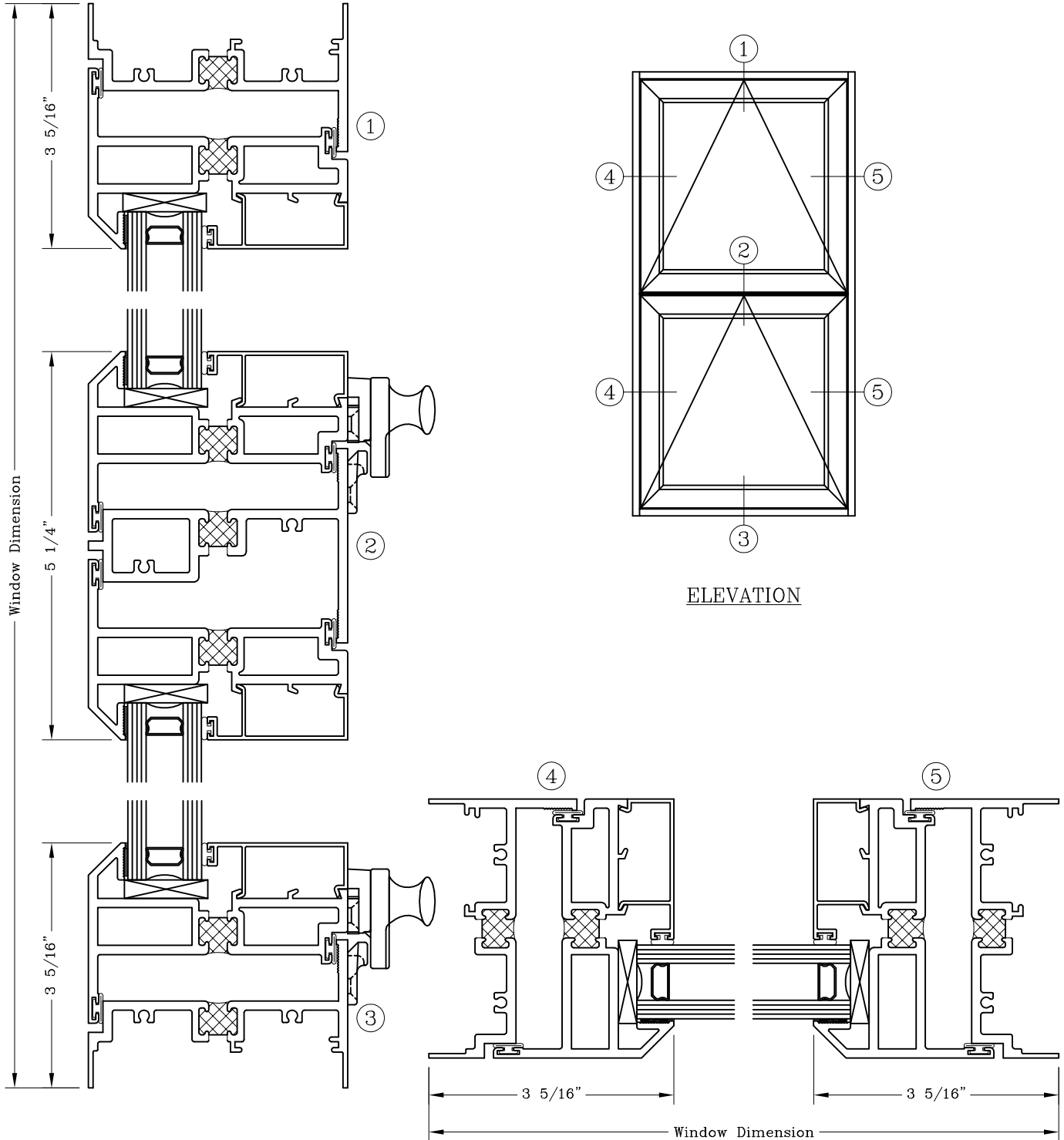
Series: 6800

Manufacturing Code: 6808

Architectural Products

Drawing 1/2 Scale - For Custom Size Drawing Contact Graham

Note: Sealant Not Shown On Details. Consult Technical Services At Factory For Sealing Procedures.



Note: Dashed Lines Represent Inswing Vented Units Solid Lines Represent Outswing Vented Units; Lines Converge At Hinge Side Of Vent