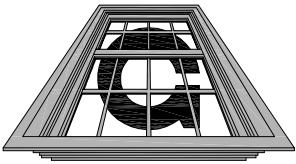


Graham



Architectural Products

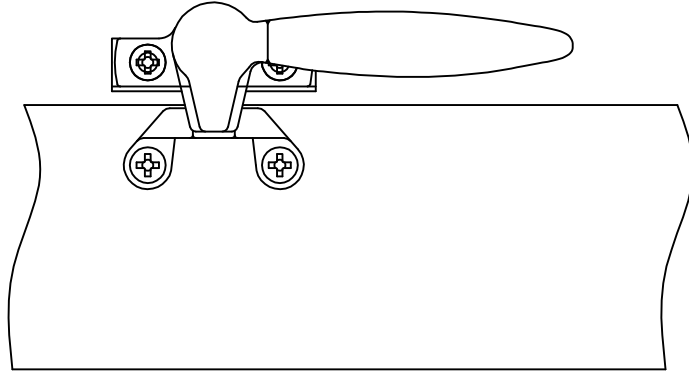
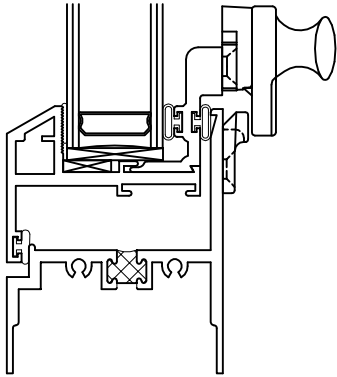
Product Options – 2 1/4” Handles And Locks

Series: 6700

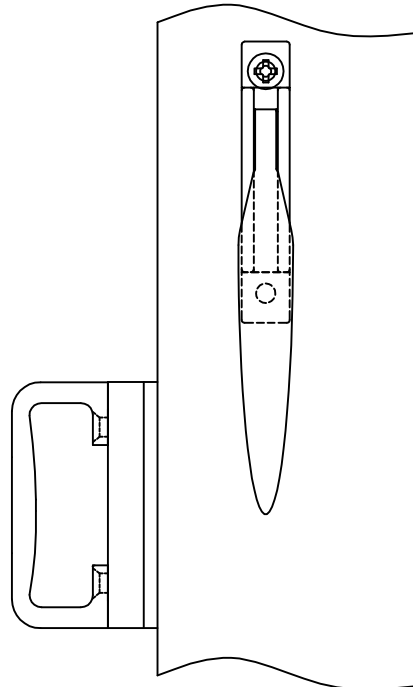
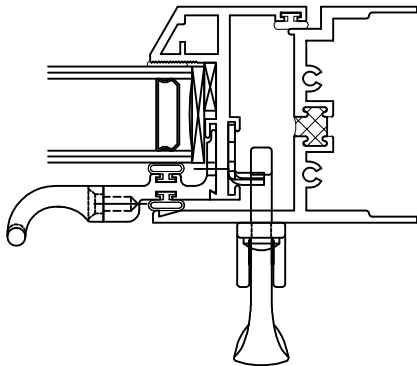
Manufacturing Code: 6709

Drawing 1/2 Scale – For Custom Size Drawing Contact Graham

Note: Sealant Not Shown On Details. Consult Technical Services At Factory For Sealing Procedures.



White Bronze Cam Handle
With Strike



Casement Lock And White Bronze
Pull Handle