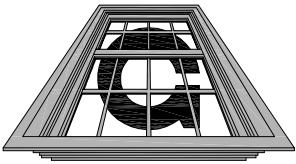


Graham



Architectural Products

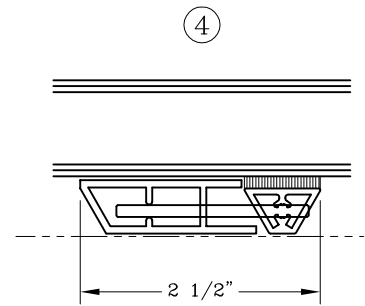
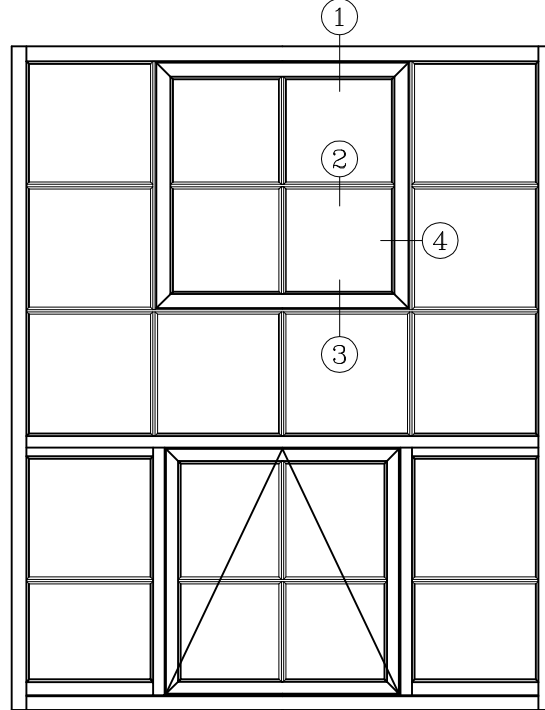
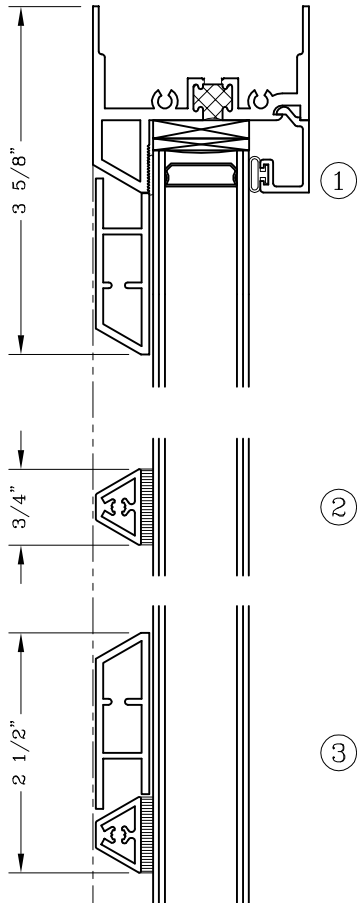
Product Options – 2 1/4” False Vent

Series: 6700

Manufacturing Code: 6708

Drawing 1/2 Scale – For Custom Size Drawing Contact Graham

Note: Sealant Not Shown On Details. Consult Technical Services At Factory For Sealing Procedures.



③
Elevation Showing False Vent Over
Operable Vent