

Graham

# Frame Options - 2 1/4"



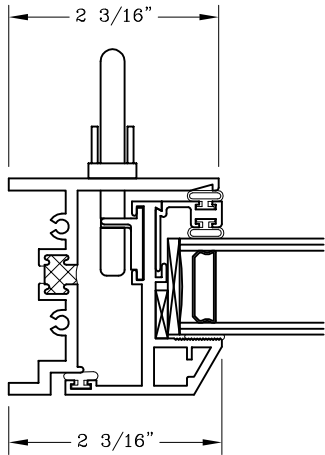
Architectural Products

Series: 6700

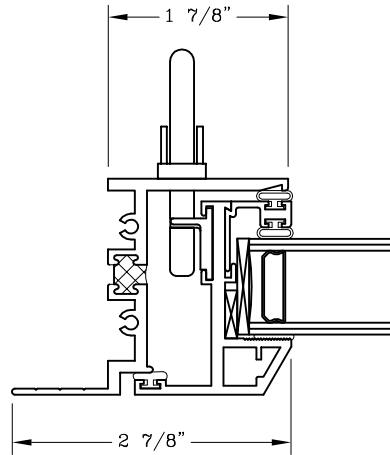
Manufacturing Code: 6707

Drawing 1/2 Scale - For Custom Size Drawing Contact Graham

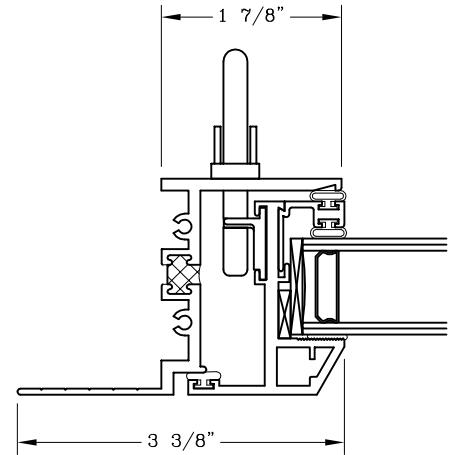
Note: Sealant Not Shown On Details. Consult Technical Services At Factory For Sealing Procedures.



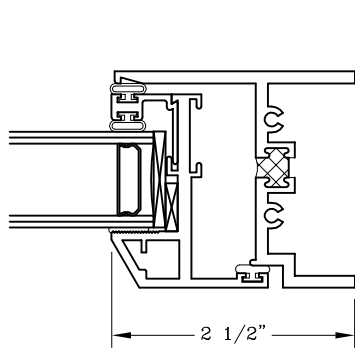
Short "Historic" Frame



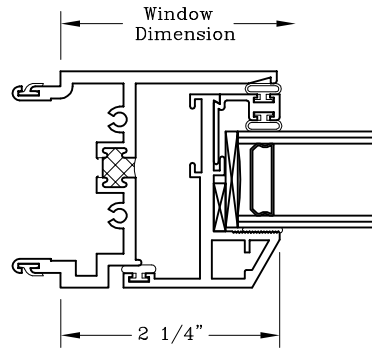
1" Flange Frame



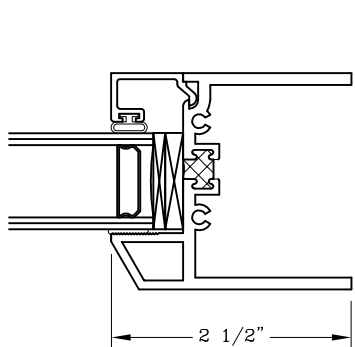
1 1/2" Flange Frame



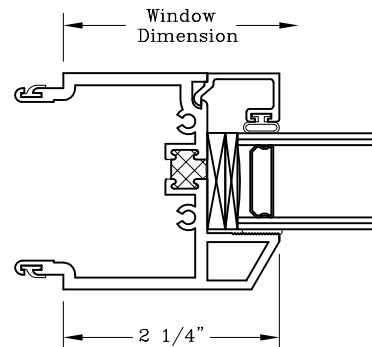
Female Slip Mull @ Vent



Male Slip Mull @ Vent



Female Slip Mull @ Fixed



Male Slip Mull @ Fixed

Note: Comparable Fixed Frame Styles Are Available