

Graham

Fixed Details - 2 1/4"



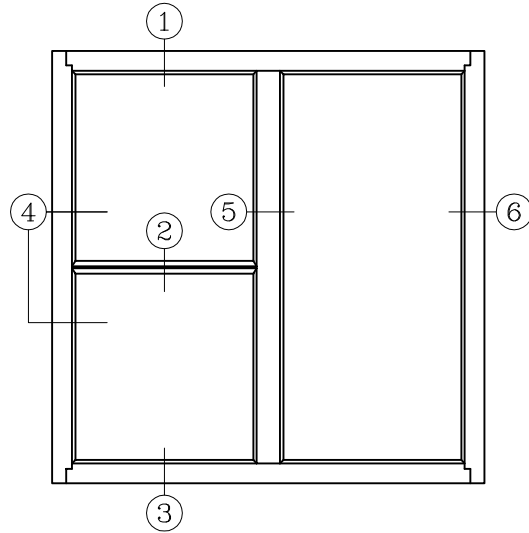
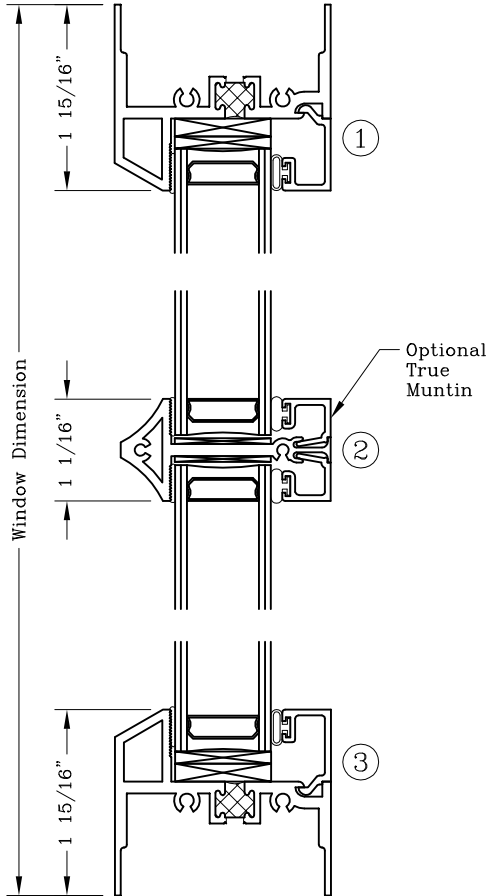
Architectural Products

Series: 6700

Manufacturing Code: 6706

Drawing 1/2 Scale - For Custom Size Drawing Contact Graham

Note: Sealant Not Shown On Details. Consult Technical Services At Factory For Sealing Procedures.



ELEVATION

