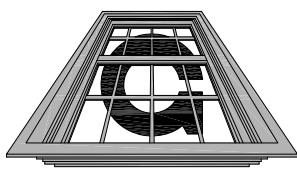


Graham



Architectural Products

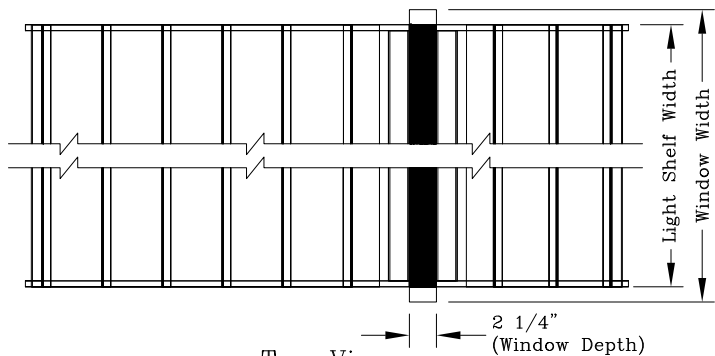
Light Shelf 6500 Series – Fixed/Outswing

Series: 6500

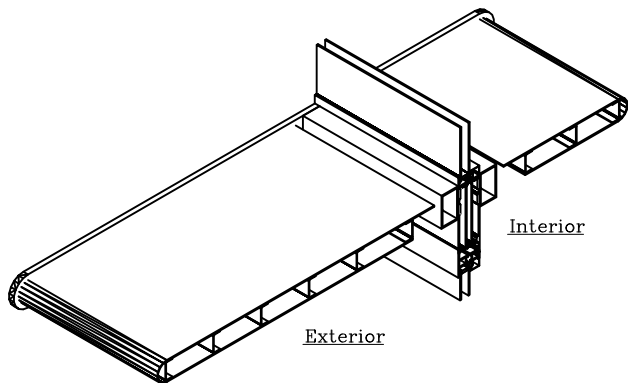
Manufacturing Code: 6507

Drawing 1/4 Scale – For Custom Size Drawing Contact Graham

Note: Sealant Not Shown On Details. Consult Technical Services At Factory For Sealing Procedures.



Top View
1/16 Scale

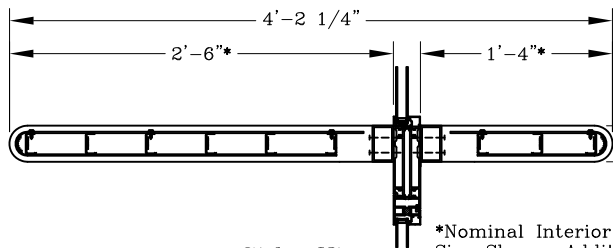


Exterior

Interior

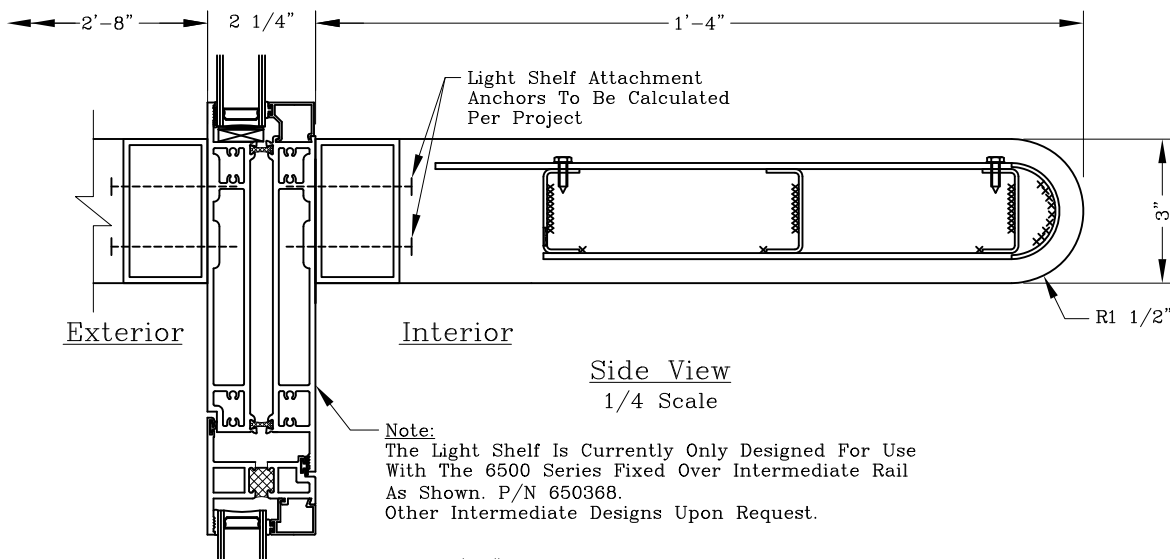
ISOMETRIC

Not To Scale



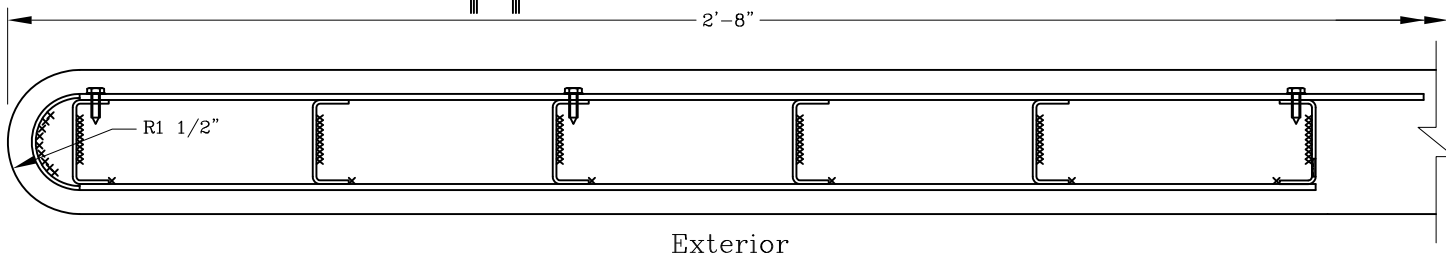
Side View
1/16 Scale

*Nominal Interior And Exterior Blade
Size Shown; Additional Sizes Available.



Side View
1/4 Scale

Note:
The Light Shelf Is Currently Only Designed For Use
With The 6500 Series Fixed Over Intermediate Rail
As Shown. P/N 650368.
Other Intermediate Designs Upon Request.



Exterior